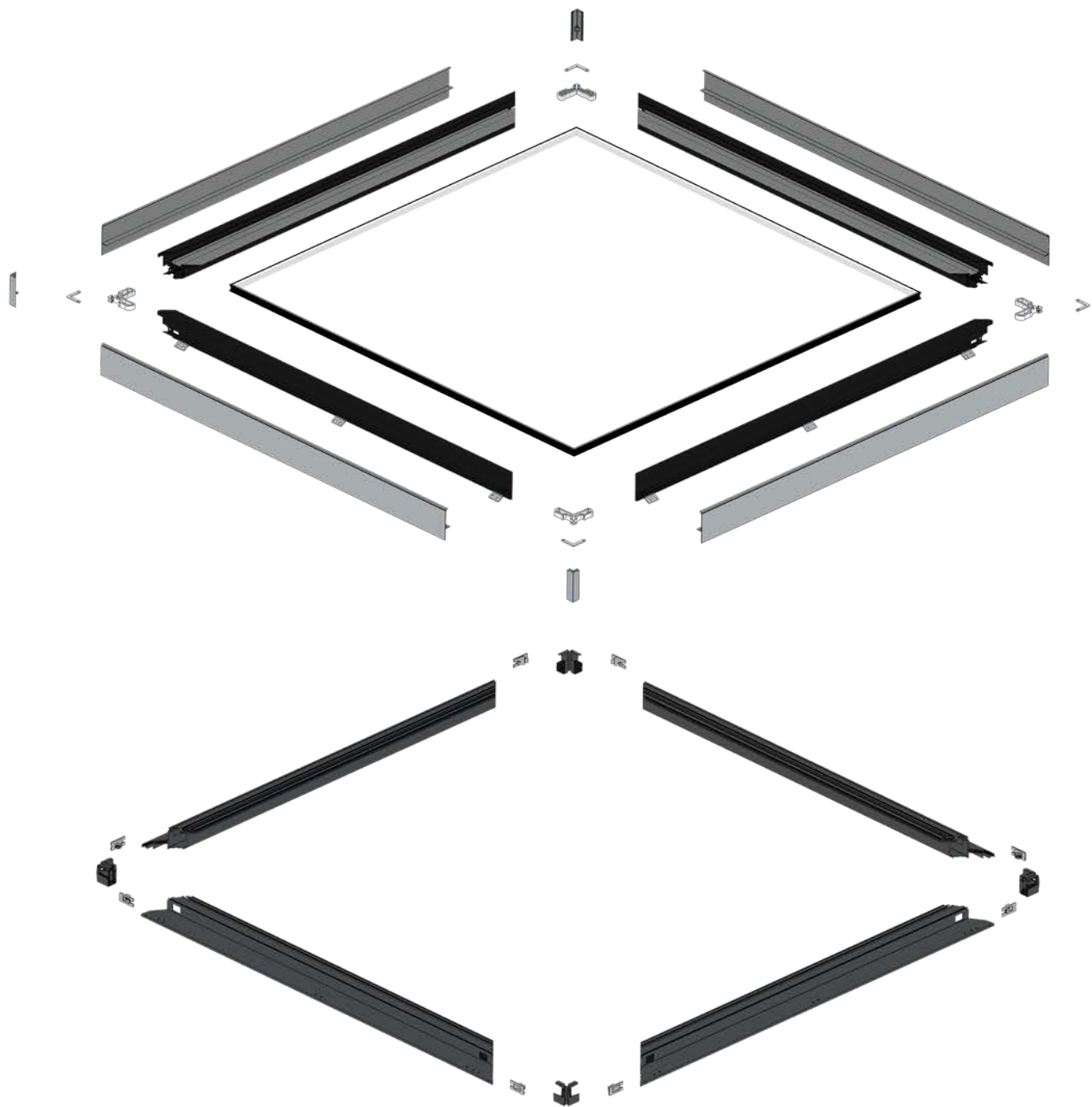




# Korniche Flat Glass™

Installation Guide



## TOOLS REQUIRED



Cordless Screwdriver



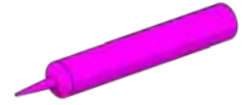
Hacksaw



Stanley Knife



Security Bit (Supplied)



Sealant

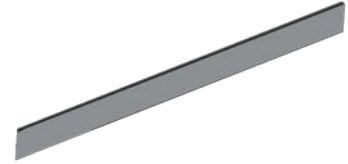
## PACKAGING CONTENTS



Flat Glass Assembly



Security Screws



Cover Fascia x 4



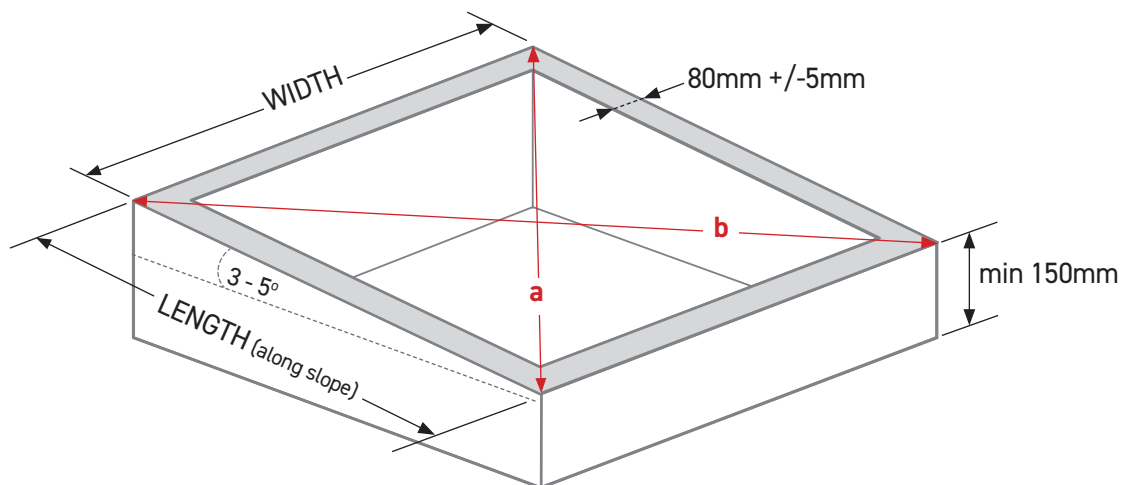
Corner Cover x 4



PVC Internal Trim x 4

## PLAN VIEW OF UPSTAND TOLERANCES

**a = b must be within 8mm of each other**

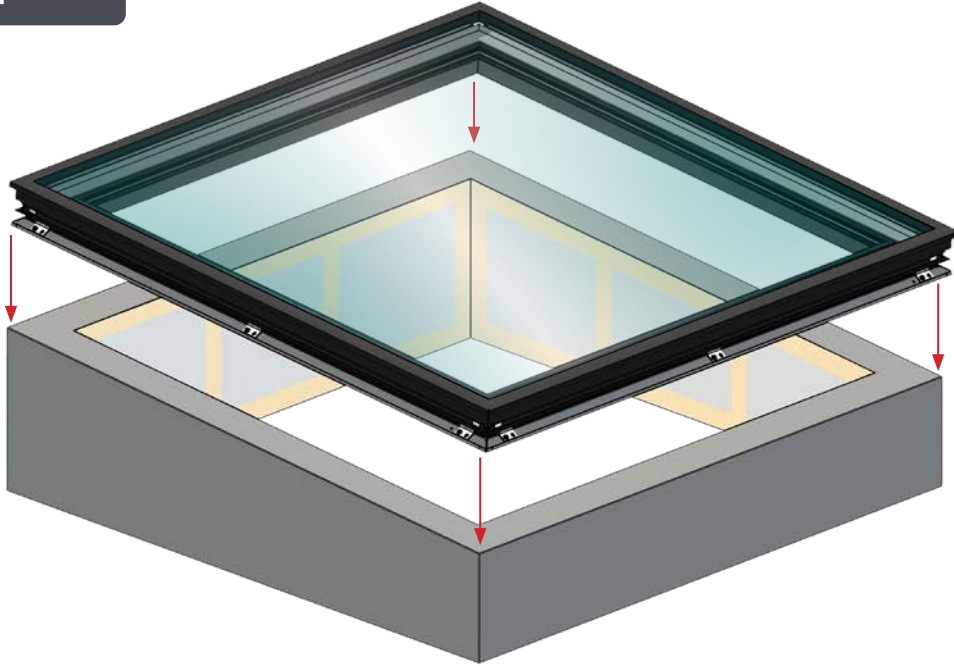


# PLACEMENT

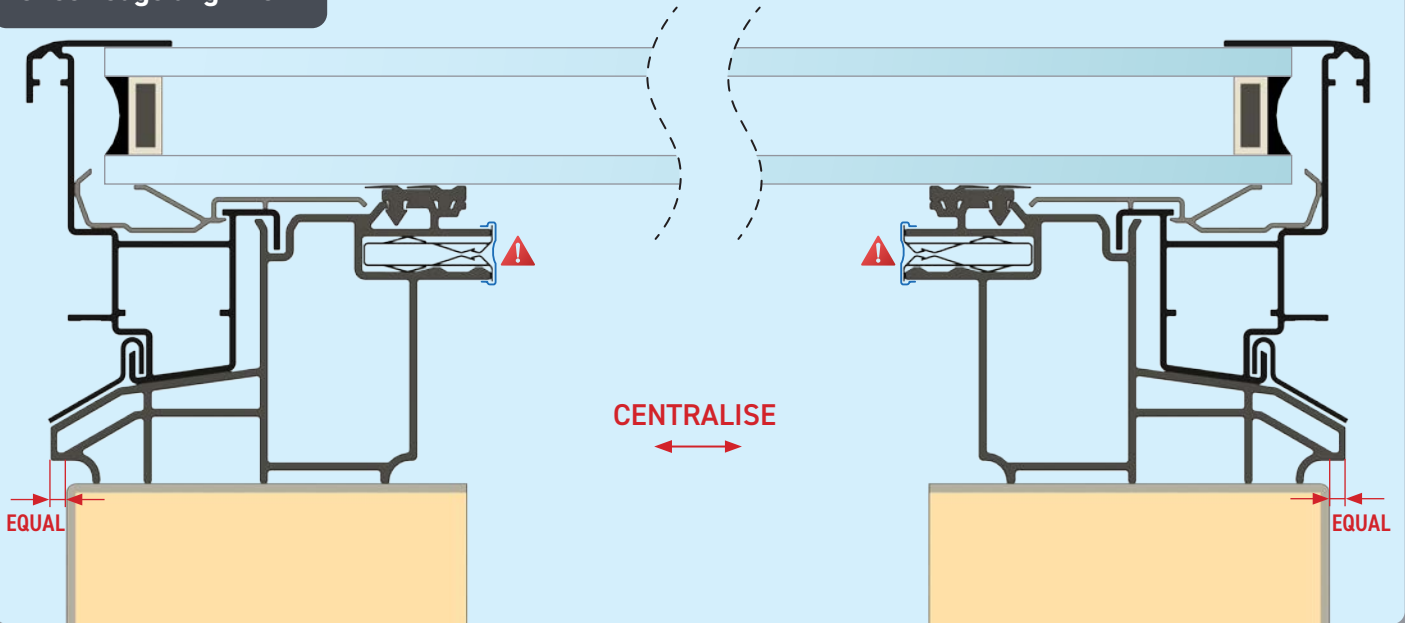
1



Position onto upstand



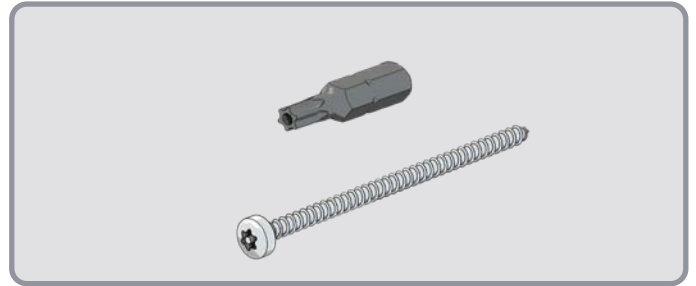
Check edge alignment



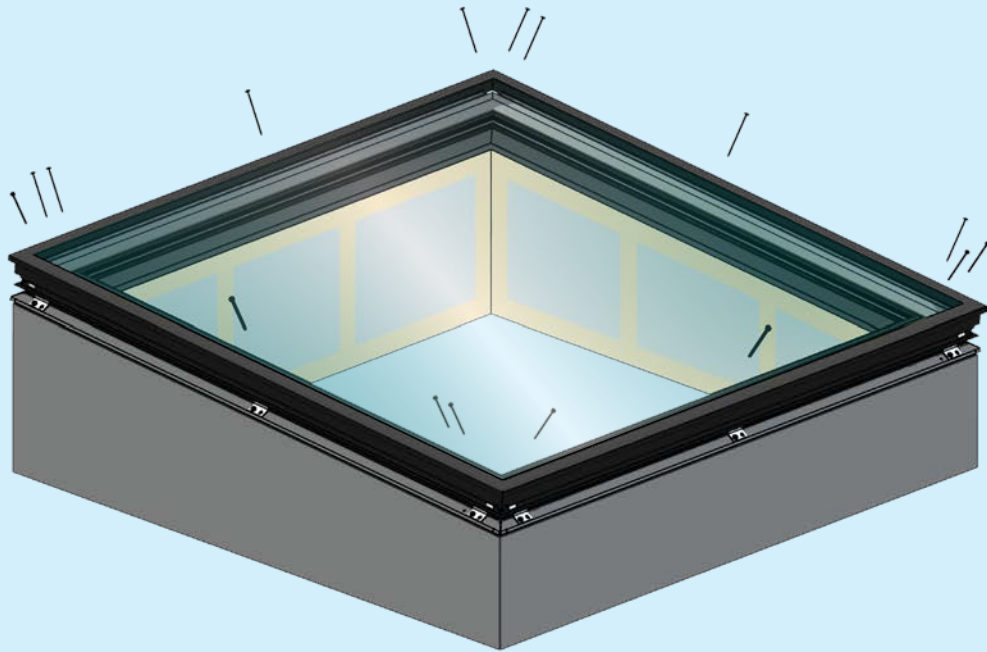
**DO NOT** remove protective blue tape

# FIXING

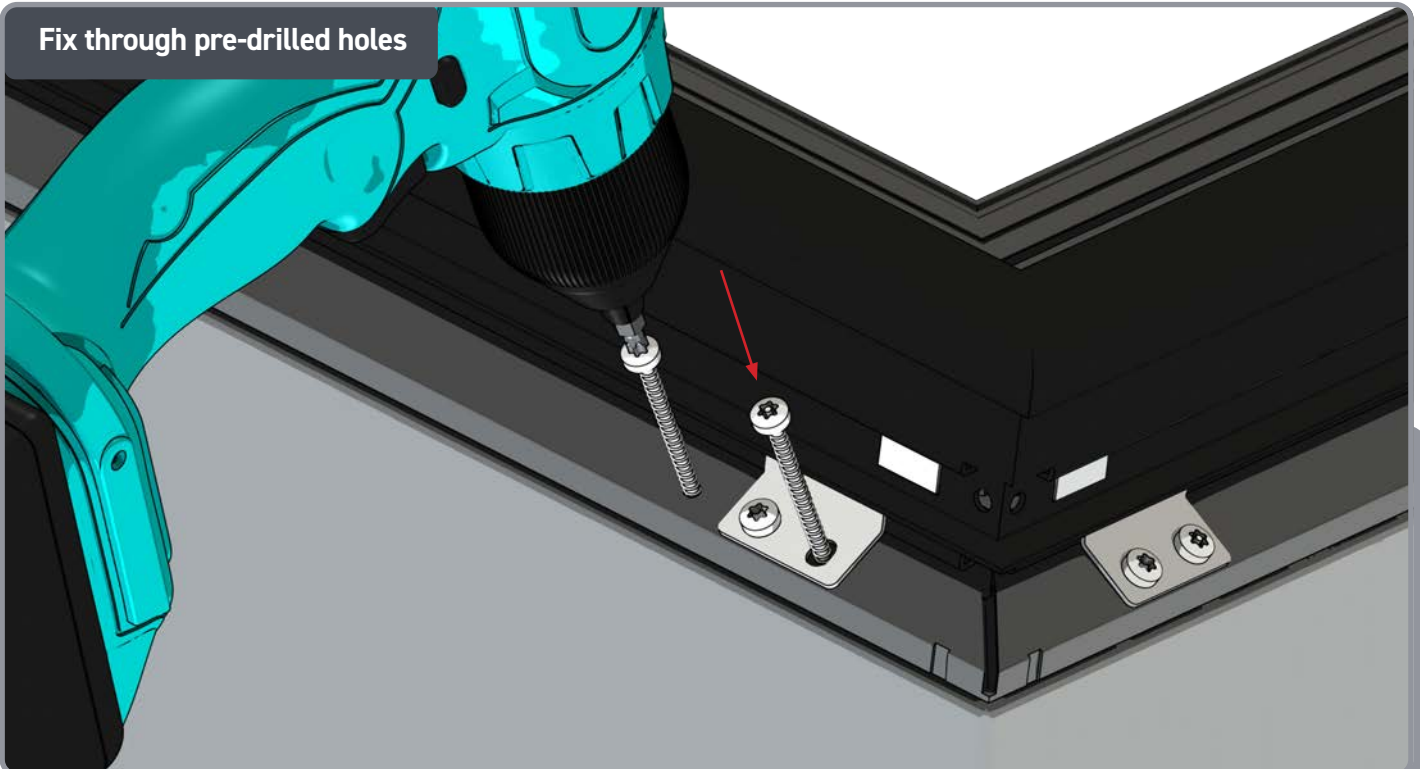
# 2



Fix down with supplied screws

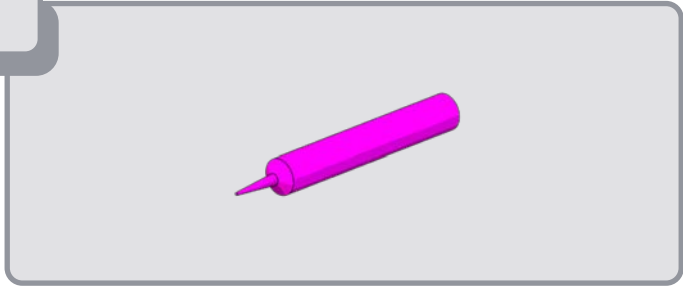


Fix through pre-drilled holes

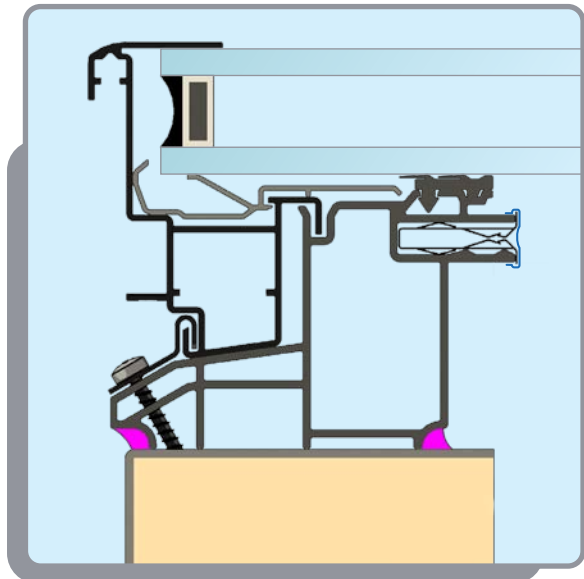
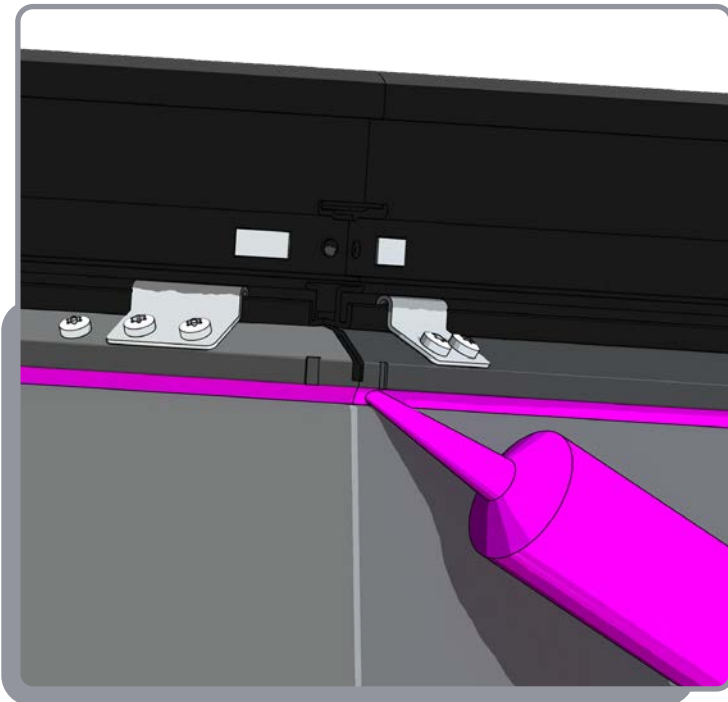
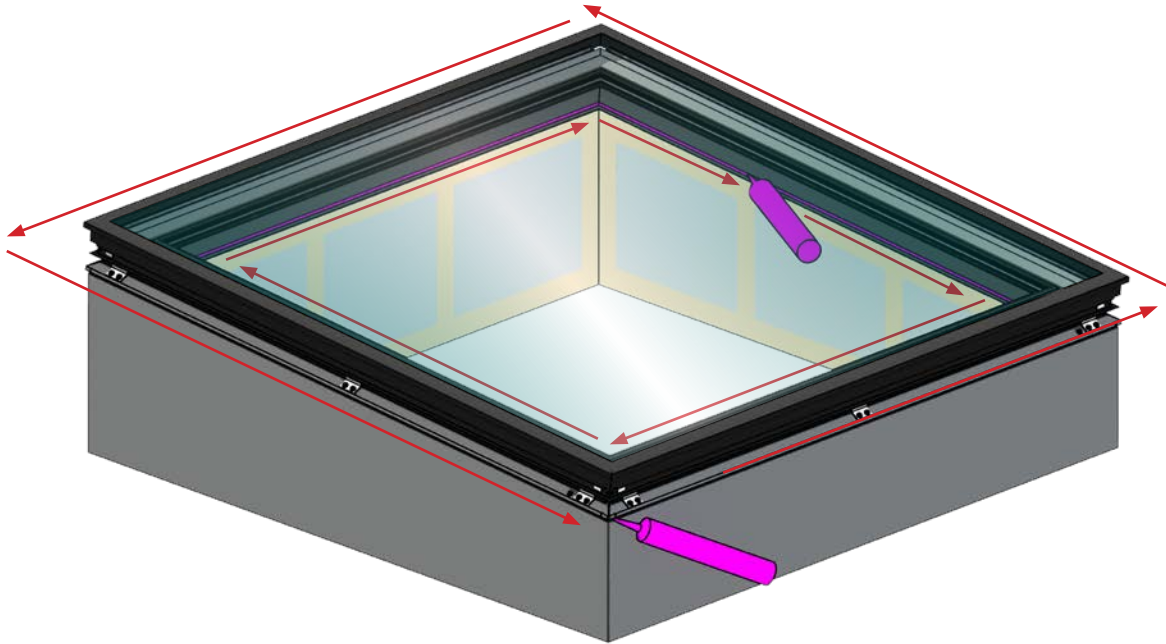


# SEALING

3



Seal where indicated

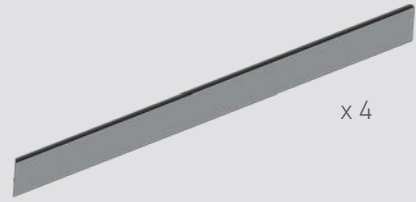


Leave no excess

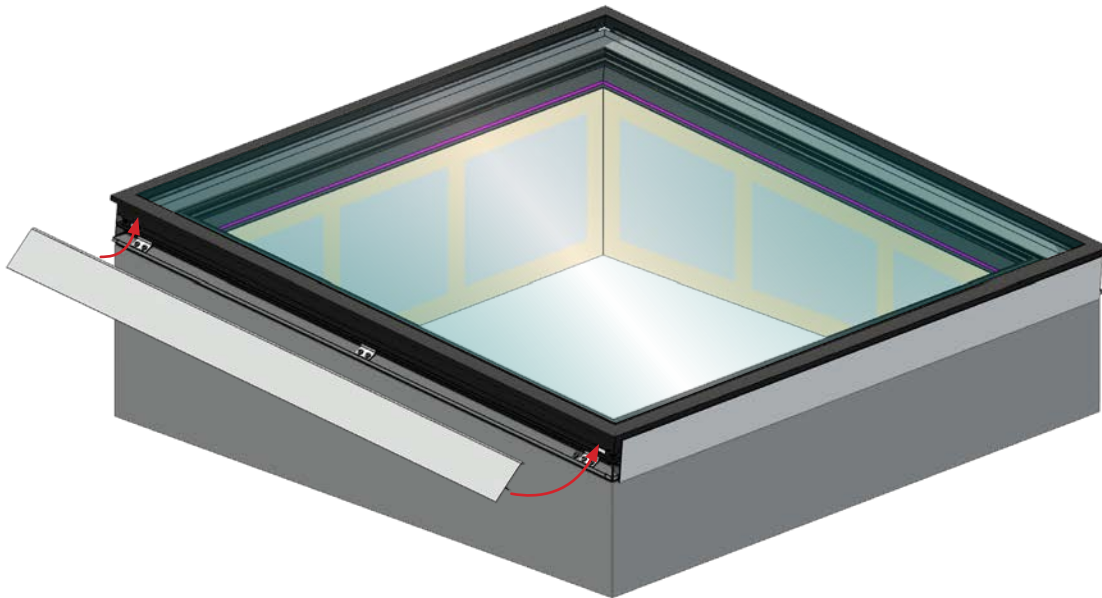


# INSTALLING FASCIAS

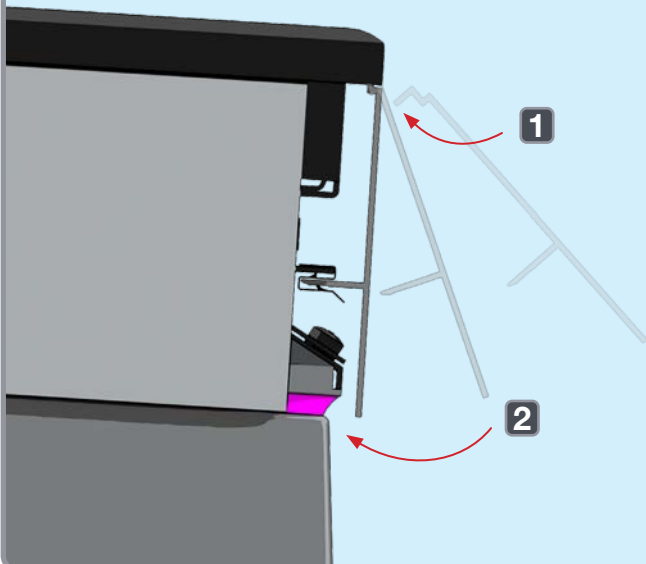
4



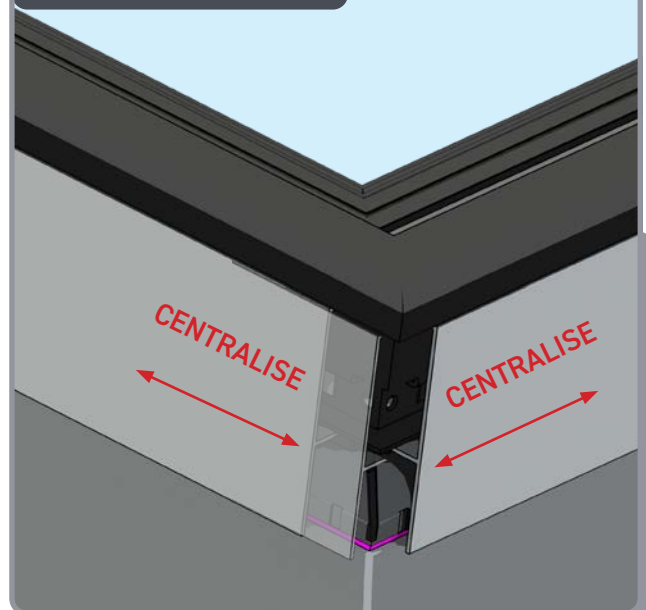
## Fit fascias



## Check alignment before pushing into place



## Centralise to notches



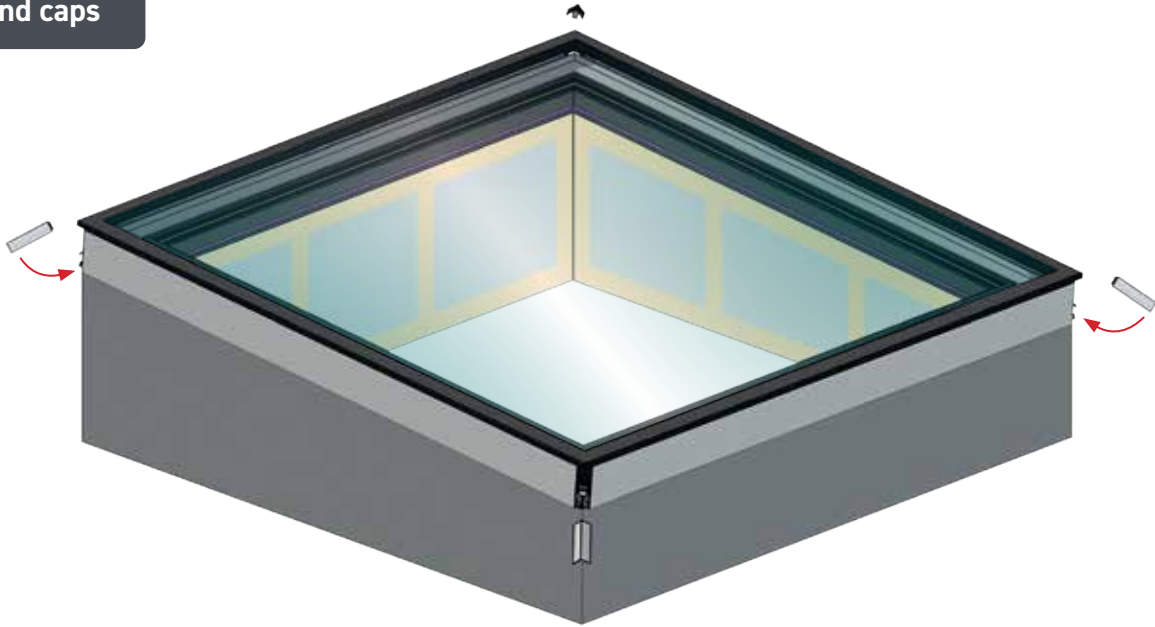
# INSTALLING CORNER CAPS

5

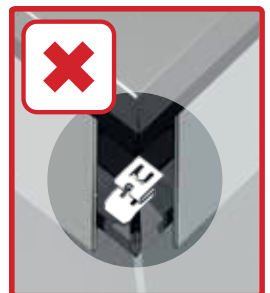
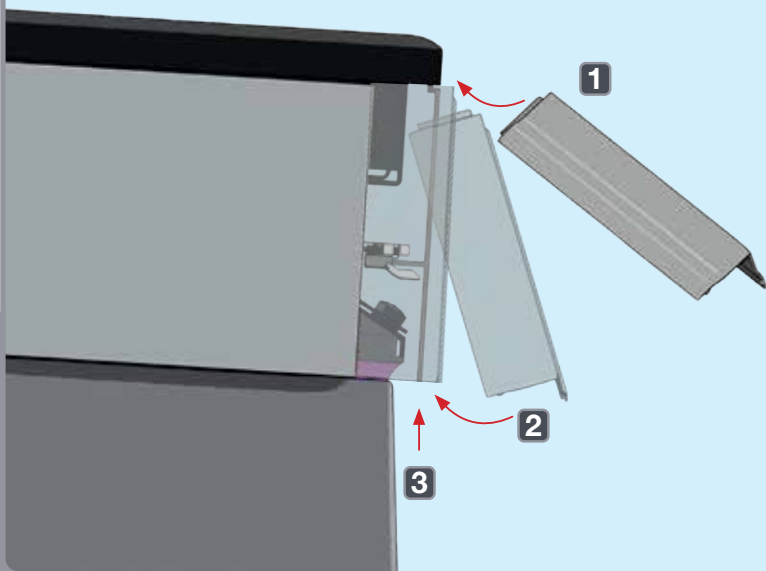


x 4

Install end caps



Position top edge of the end cap before rotating into position



Store PVC trims safely until required.



Ensure corner clip is positioned correctly



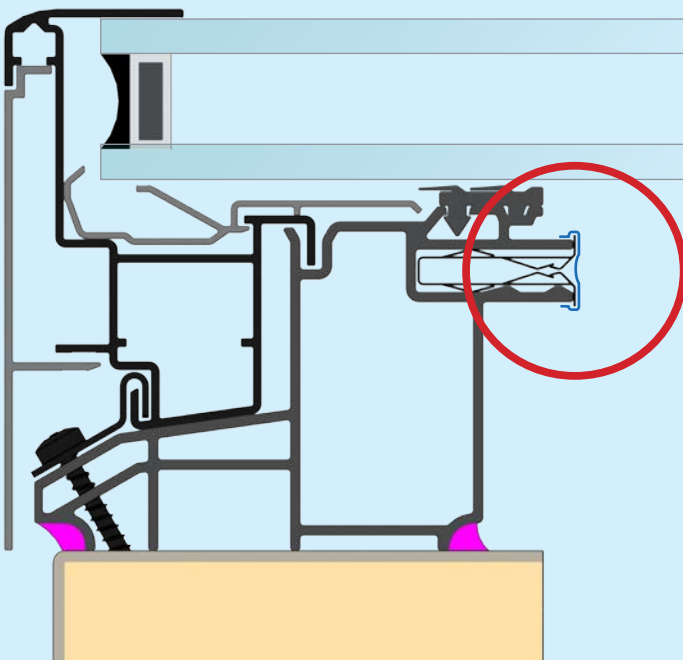
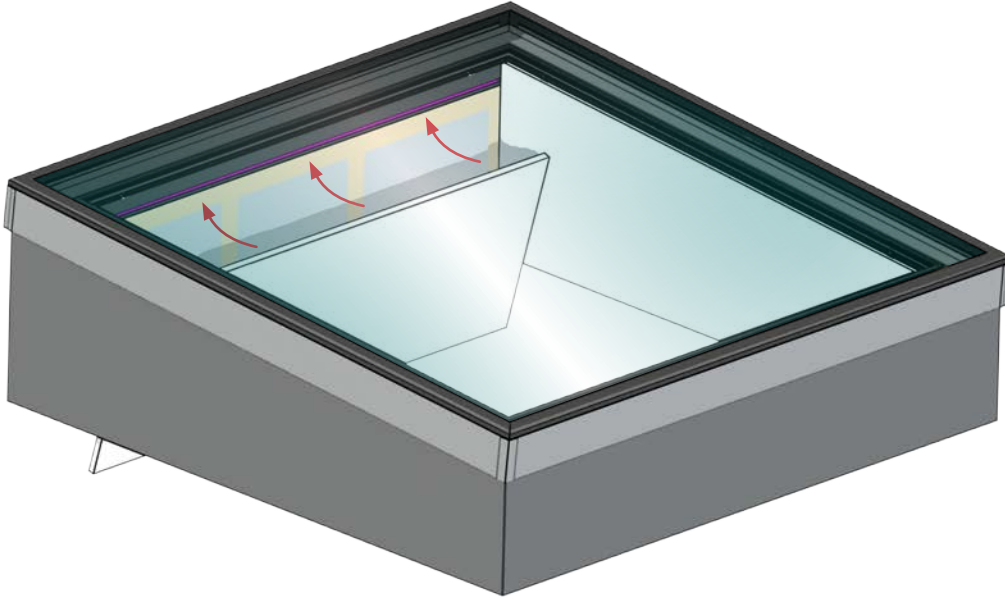
## INSTALL PLASTERBOARD

6



Plasterboard  
(not supplied)

### Fit plasterboard



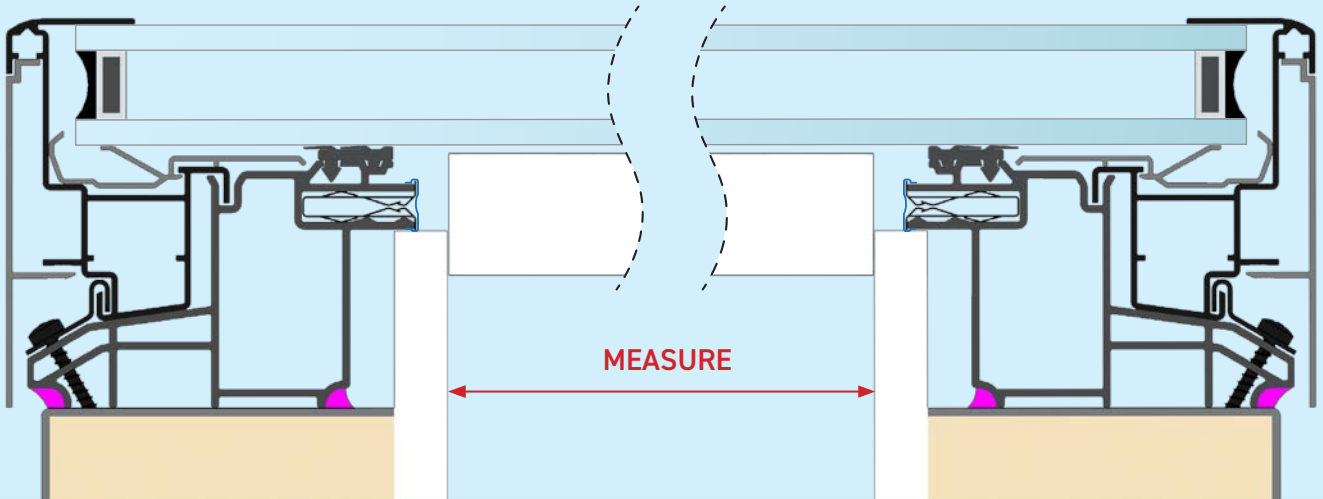
**Top of plasterboard must sit up to this face**

# CUTTING AND INSTALLING PVC TRIM WIDTHS

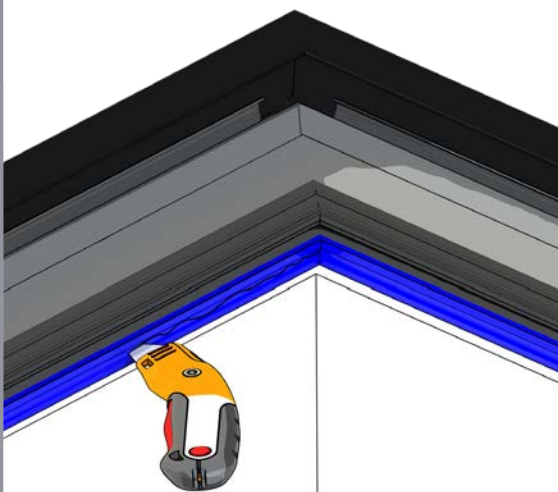
7



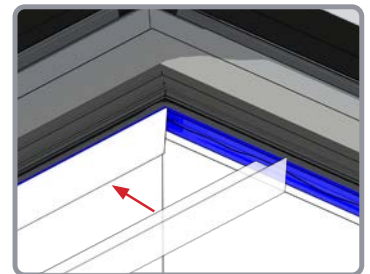
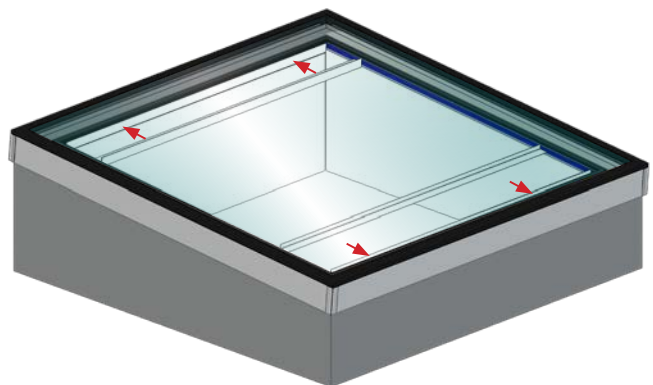
Measure between plasterboards. Cut PVC trim widths to size



Before installing trims, cut along blue tape



Install the width trims



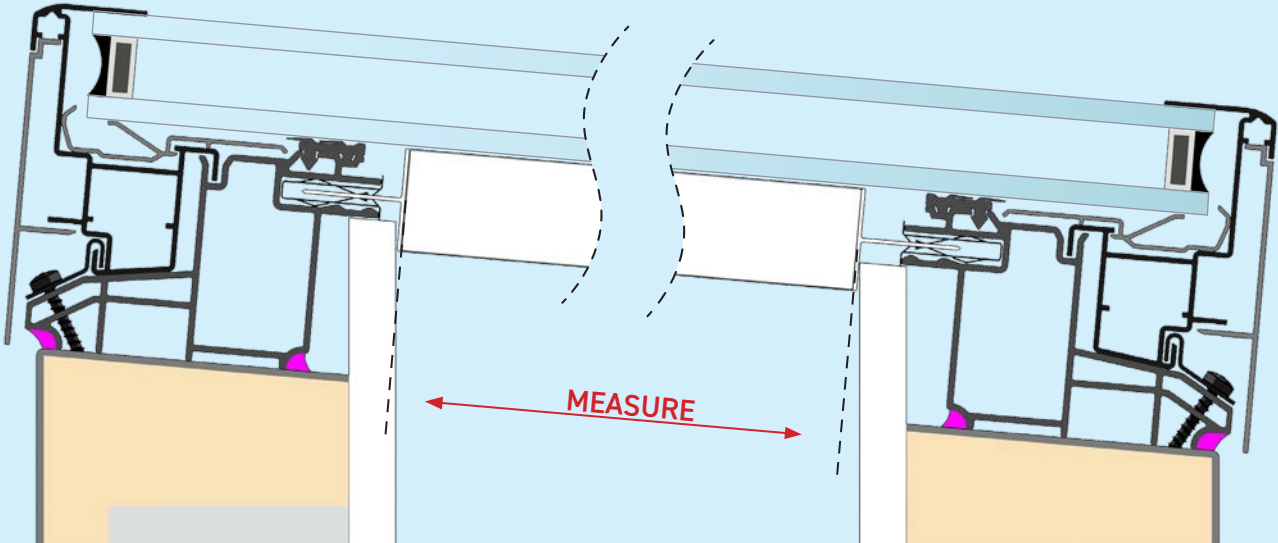
Ensure trim firmly engages with the retainer clips

## CUTTING AND INSTALLING PVC TRIM LENGTHS

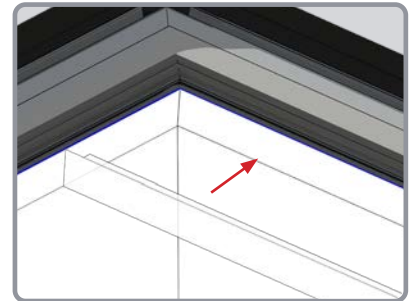
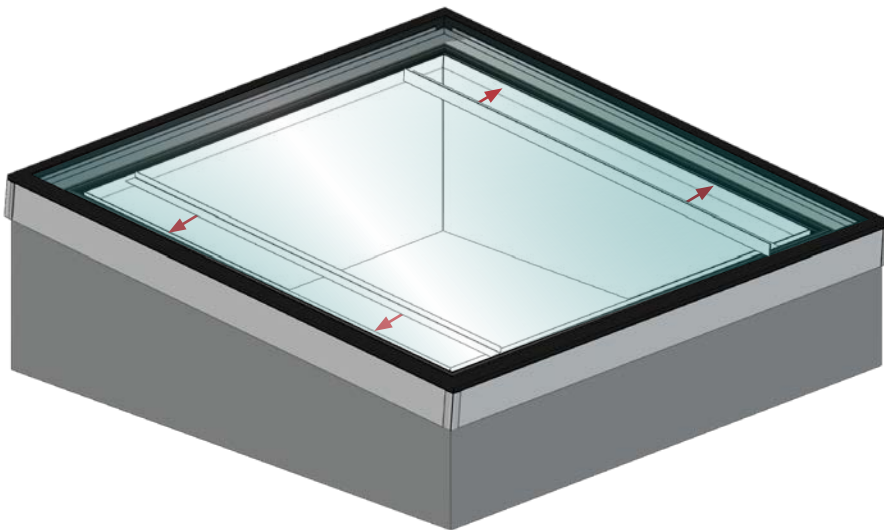
8



Measure between PVC width pieces. Cut PVC trim lengths



Install the length trims



Ensure trim firmly engages with the retainer clips

# COMPONENTS LIST

Not to Scale



PAN HEAD TORX SECURITY SCREW SELF TAPPING 4.8 (No.10) x 3in  
**A-06118**



SOCKET HEAD CAP SCREW M4 x 25 8.8 BZP  
**A-06124**



No.10 x 1/2"mm (4.8mm x 12mm) SELF TAPPING TORX (T25) BUTTON HEAD SCREW BZP  
**A-06725**



1/4" DRIVE T25 SECURITY TORX BIT  
**A-06769**



FG EAVES CORNER MOULDING  
**A-06114**



FG CORNER COVER CASTING DG MF  
**A-06727**



FG CORNER COVER CASTING TG MF  
**A-06728**



FG RETAINER CORNER KEY  
**A-06106**



FG CORNER KEY  
**A-06122**



FG CORNER KEY PAWL  
**A-02775**



FG FIXING CLIP  
**A-06110**



FG EAVES BEAM FIXING CUP  
**A-06111**



FG EAVES BEAM FIXING CUP THREADED  
**A-06112**



FG COVER FASCIA CLIP  
**A-06720**



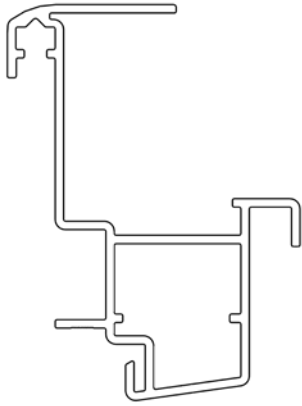
FG INTERNAL TRIM CLIP  
**A-06724**



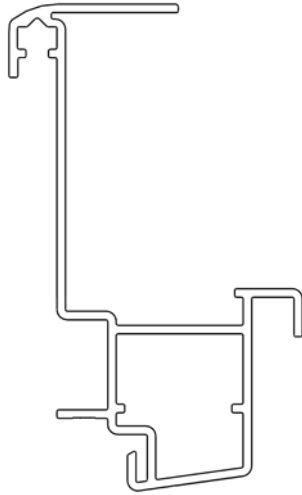
FG CORNER COVER CLIP  
**A-06726**

# COMPONENTS LIST

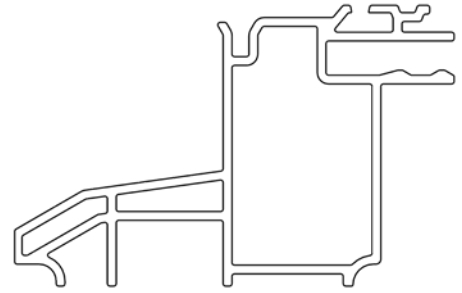
Not to Scale



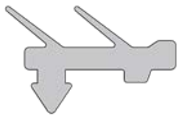
FG GLASS RETAINER PROFILE DG  
**A-06102**



FG GLASS RETAINER PROFILE TG  
**A-06115**



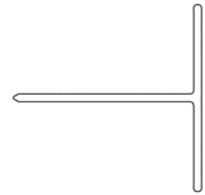
FG EAVES BEAM PROFILE  
**A-06103**



FG GLAZING RETAINER SEAL  
**A-06711**



FG BLACK RIGID PVC GLAZING SHOE PROFILE  
**A-06109**



FG WHITE INTERNAL TRIM PVC PROFILE  
**A-06719**



FG COVER FASCIA PROFILE DG MF  
**A-06104**



FG COVER FASCIA PROFILE TG MF  
**A-06116**



[www.gfdhomes.co.uk](http://www.gfdhomes.co.uk)