

# Bi-Folding Door

## Installation Guide

### Section A

Door Installation                      A1 - A7

### Section B

Lock Adjustment                      B1



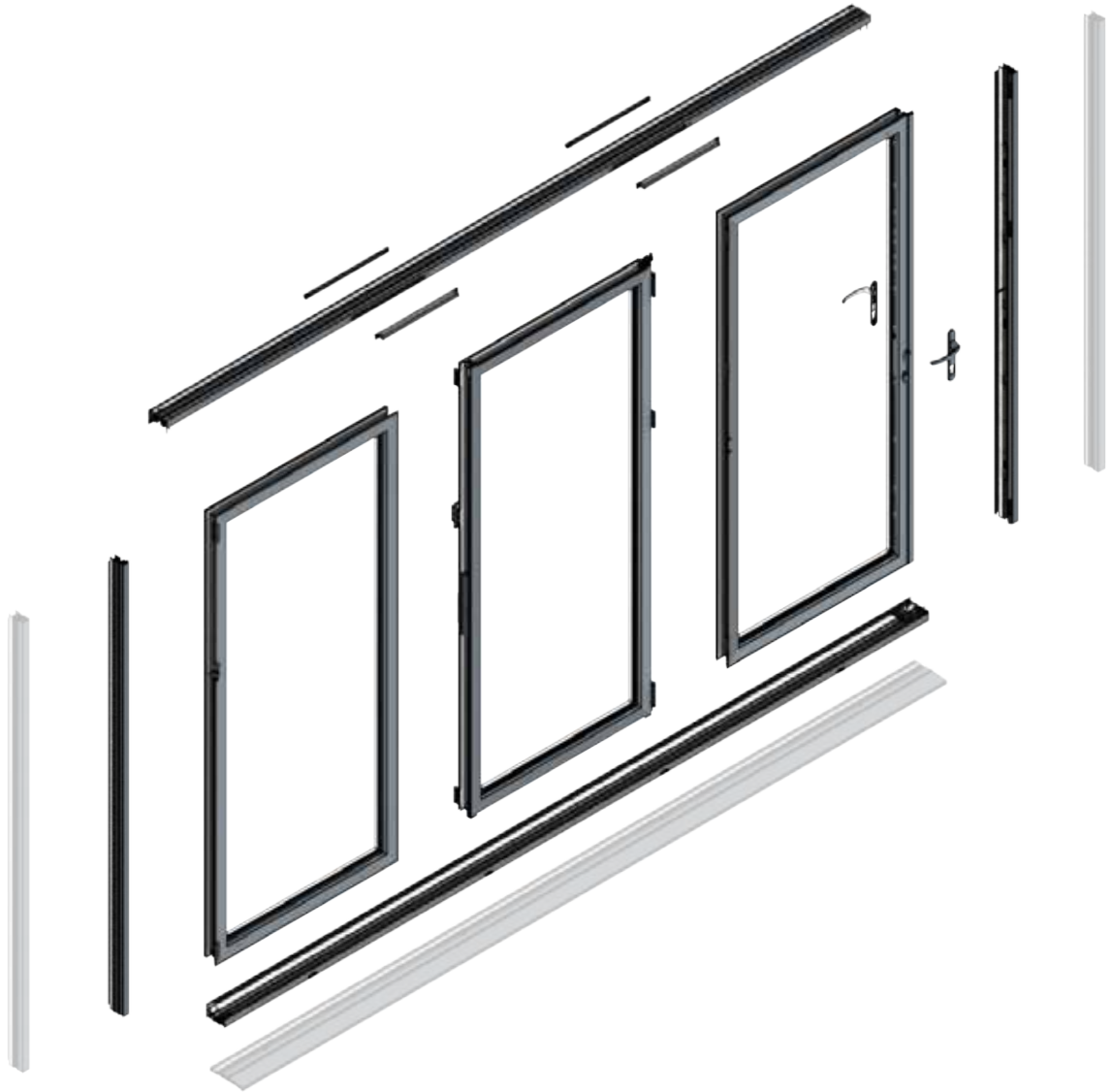
### Section C

Kit-Form Pre-Assembly              C1 - C2

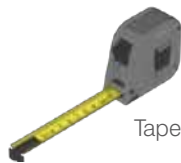
### Section D

De-Glazing Instruction              D1





## TOOLS REQUIRED



Tape measure



Soft mallet



Spirit level



4mm hex key



Glazing paddle



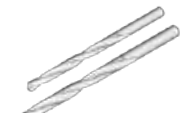
Glazing suction lifters



Cordless  
drill / driver

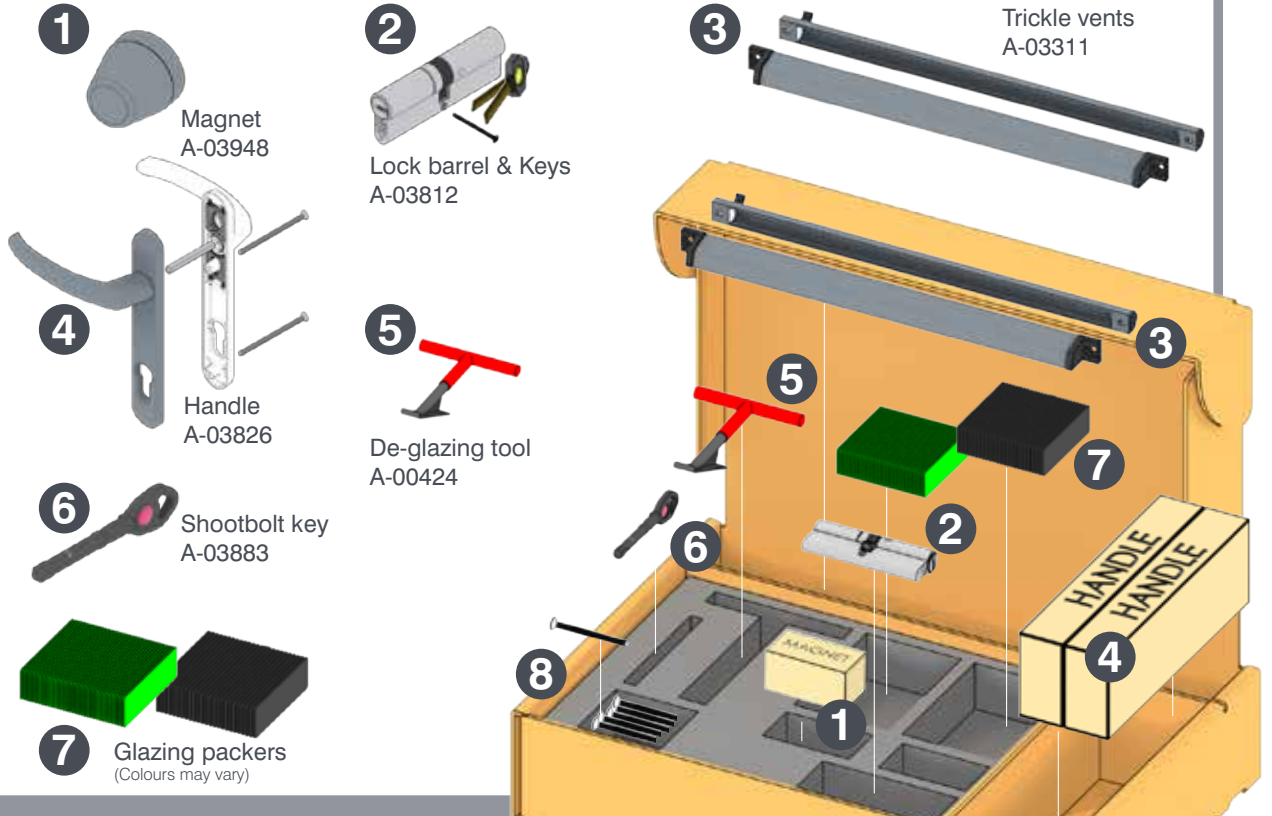


Pozi No 2  
Bit

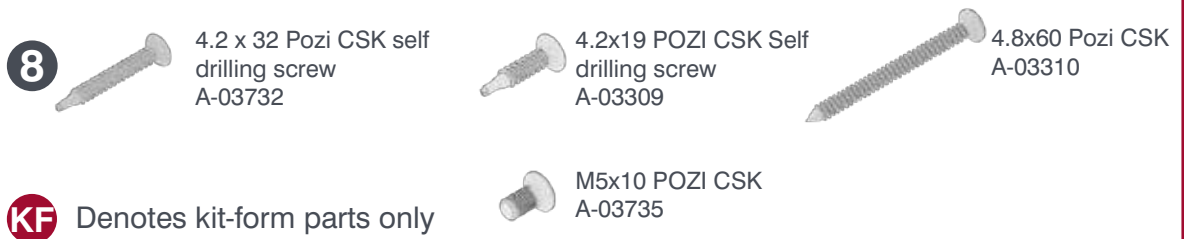


3 & 5mm  
Drill Bits

**PACKAGING CONTENTS**



**KIT-FORM PACKAGING CONTENTS**



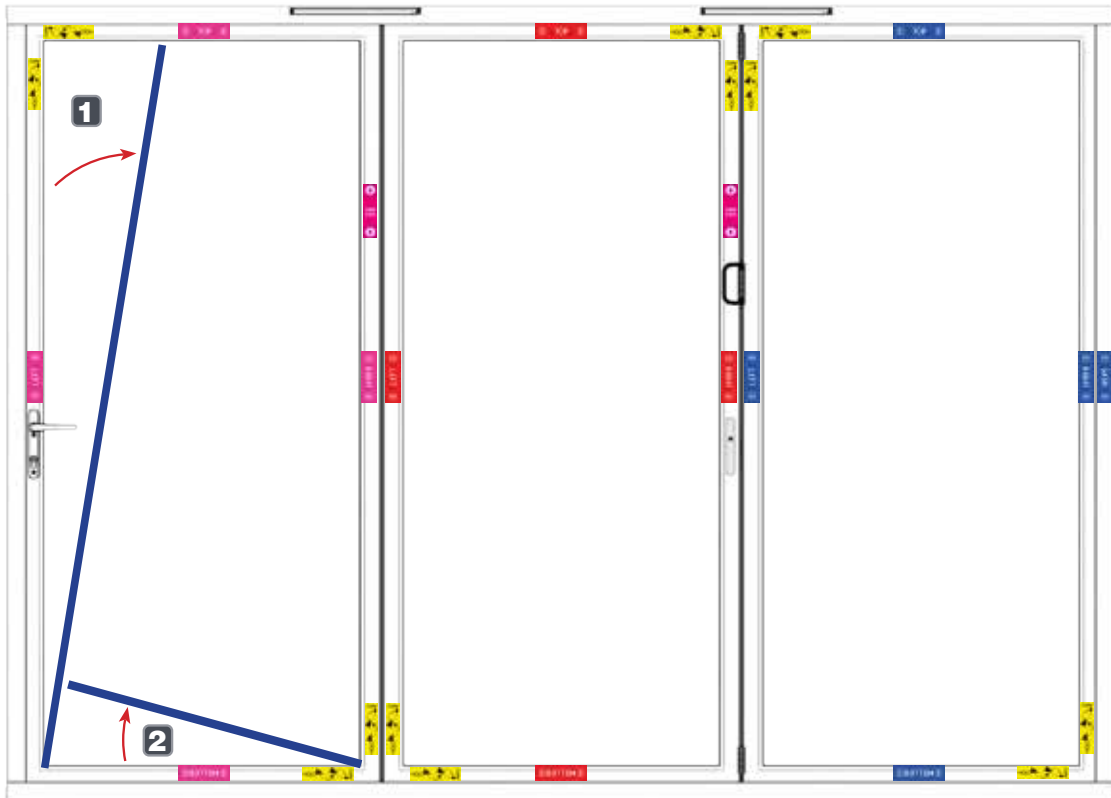
**CONSUMABLES - NOT SUPPLIED**



## BEAD UNPACKING

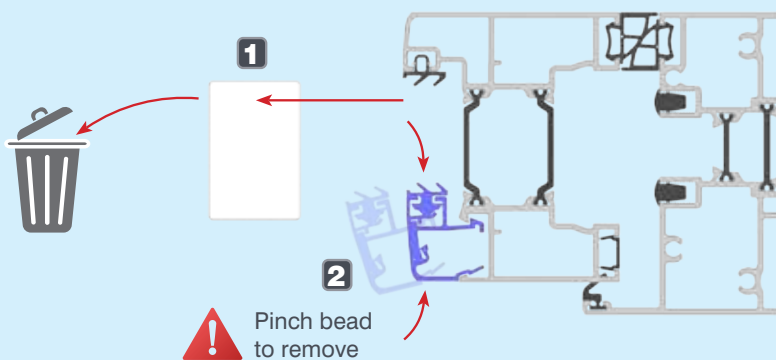
# A1

### 1 Bead and bead spacer removal before installation



**Beads must return to original positions**

### Polystyrene bead spacer removal



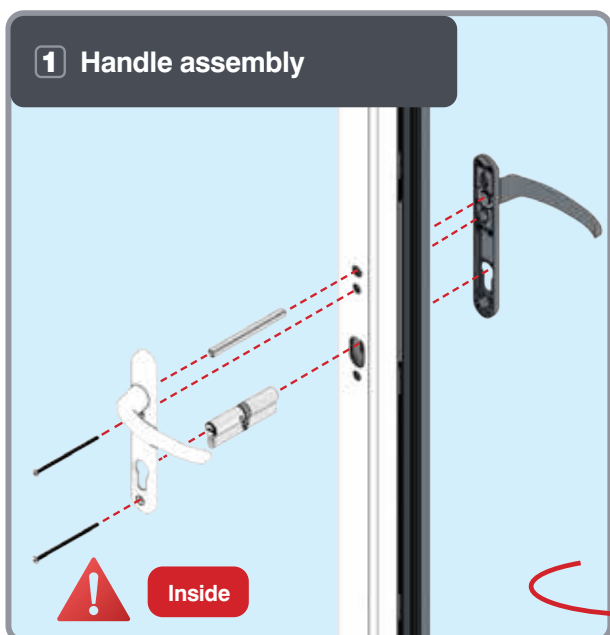
## GENERAL ASSEMBLY

### HANDLE INSTALLATION

**A2**

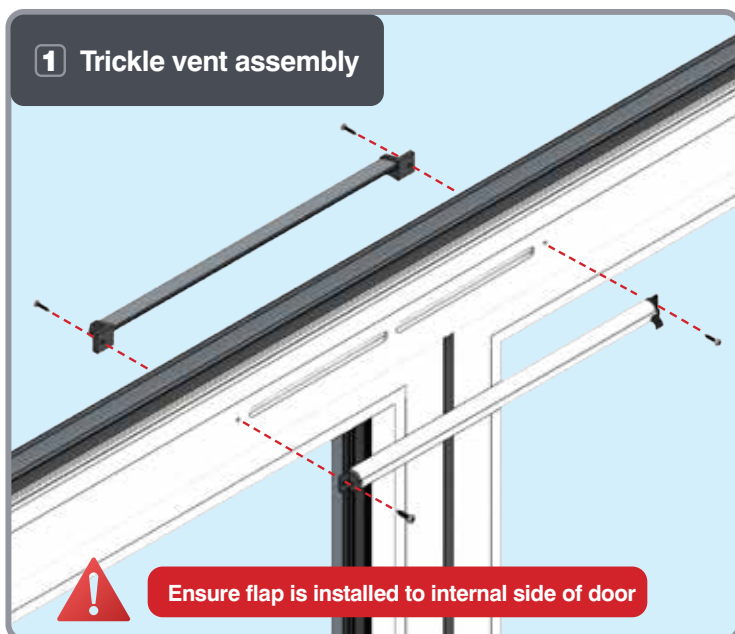


#### 1 Handle assembly

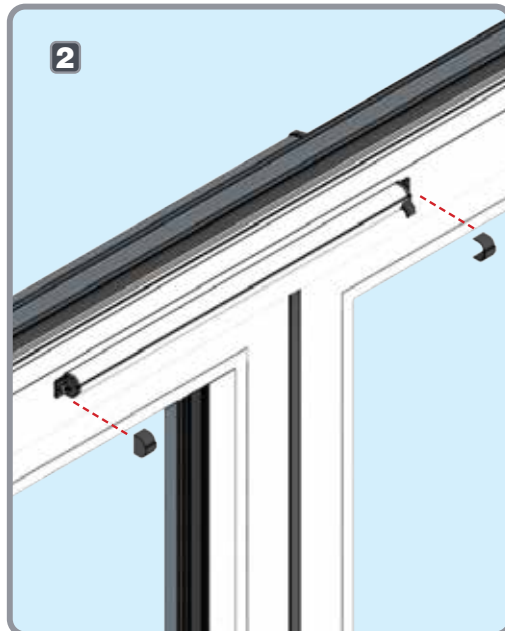


### OPTIONAL TRICKLE VENT INSTALLATION

#### 1 Trickle vent assembly



2



## CILL INSTALLATION

**A3**



Outer frame packers  
(not supplied)

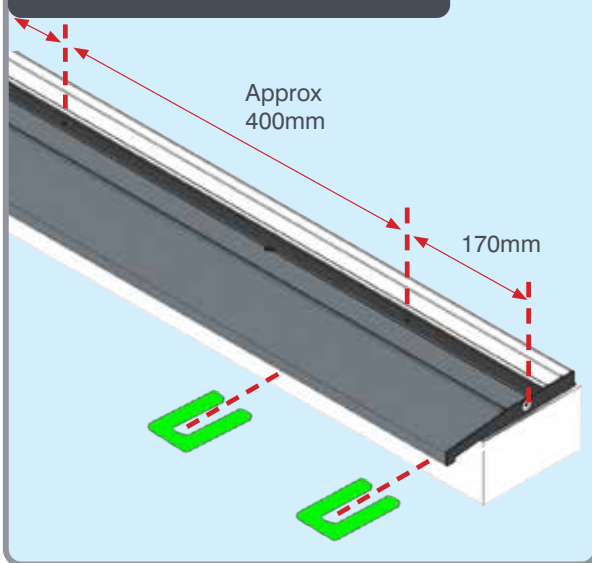


Frame fixing screws  
(not supplied)

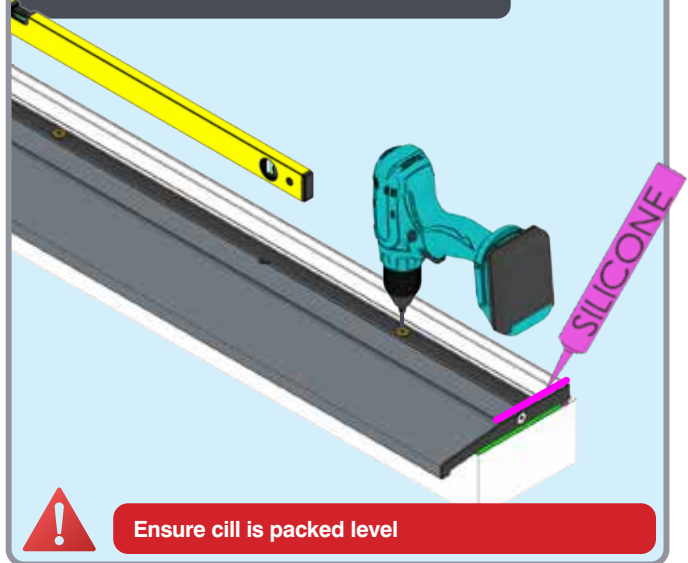


Low modulus silicone sealant  
(not supplied)

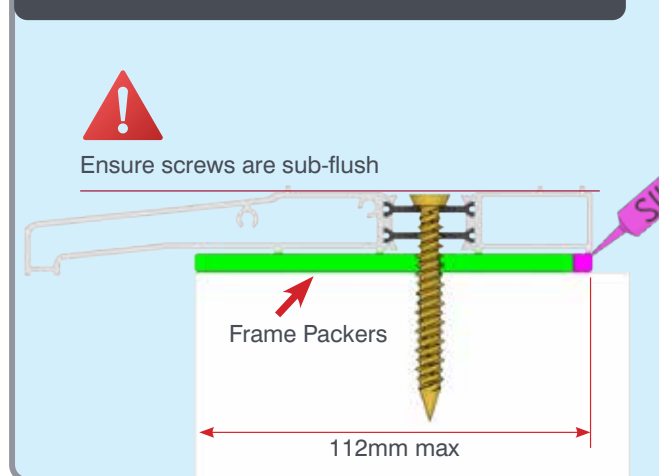
### 1 Drilling



### 2 Leveling and fixing cill



### 3 Completed cill position showing packer



**Note - Cill packers and screws are not supplied**

**Ensure cill is level:  $\pm 1$ mm**



# DOOR POSITIONING

## A4

**! Only remove keep when keep mounted to outerframe**

### 1 Keep removal when on jamb

40mm 1:1

**! Only remove x16 fixing screws**

**! Reinstall after step 6**

### 2 Vertical Alignment

### 3 Horizontal alignment

**! Ensure diagonals:  $A=B \pm 1\text{mm}$**

## DOOR INSTALLATION

**A5**



Outer frame packers  
(not supplied)

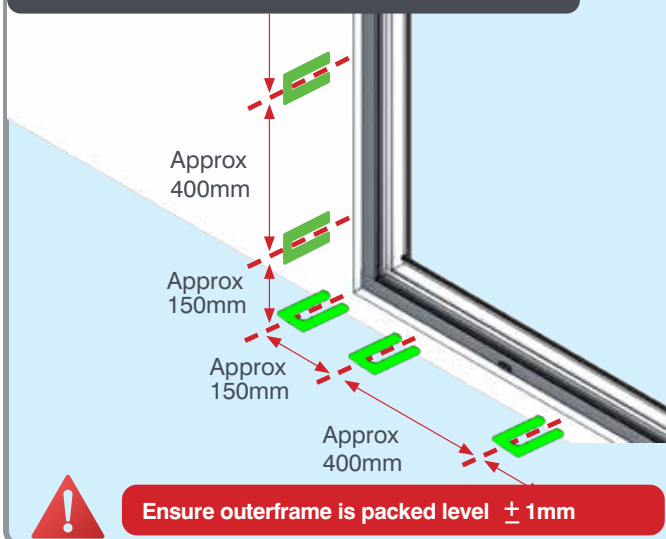


Frame fixing screws  
(not supplied)

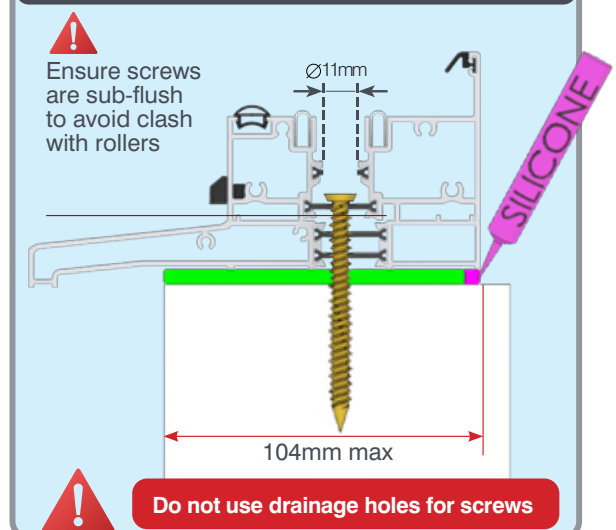


Low modulus silicone sealant  
(not supplied)

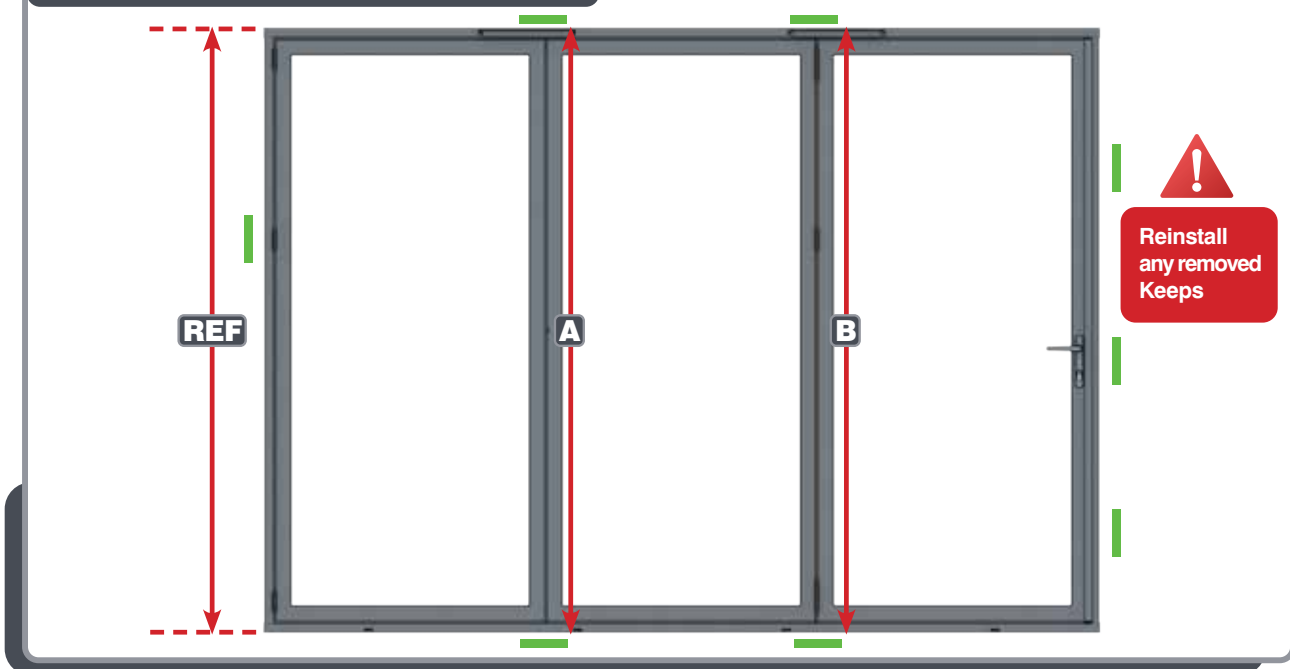
### 4 Packing of outerframe



### 5 Drill and screw outerframe in position



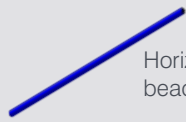
### 6 Check vertical measurements



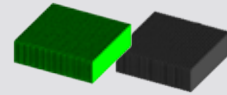
Ensure verticals:  $\text{REF}=\text{A}=\text{B} \pm 1\text{mm}$   
Extra packers at locking points and hinges



## DOOR GLAZING

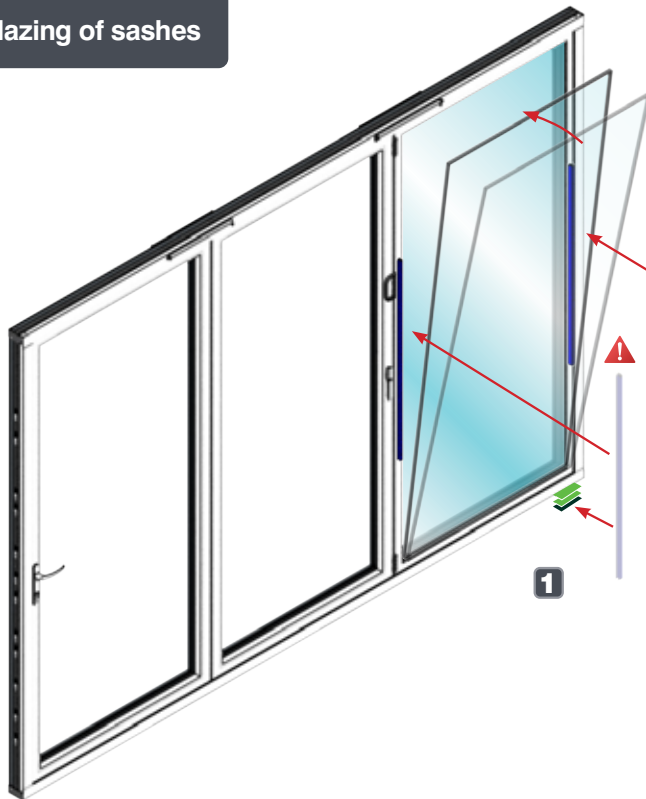


Horizontal beads



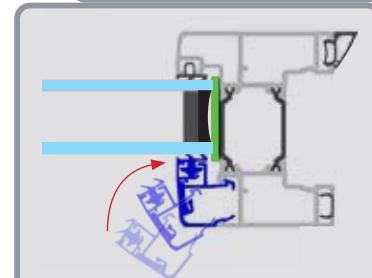
Glazing packers

### 2 Glazing of sashes



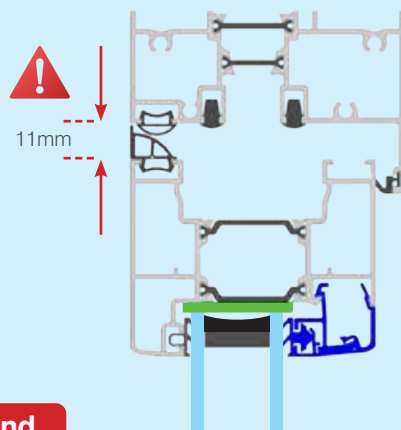
#### Suggested Packing

1mm	█
1mm	█
2mm	█



**Tip:** Use horizontal beads to temporarily secure glass: Refer to appendix 2

### Toe and heel adjustment



**Adjust sash packing to maintain 11mm all round**

## DOOR FUNCTIONALITY

**A6**

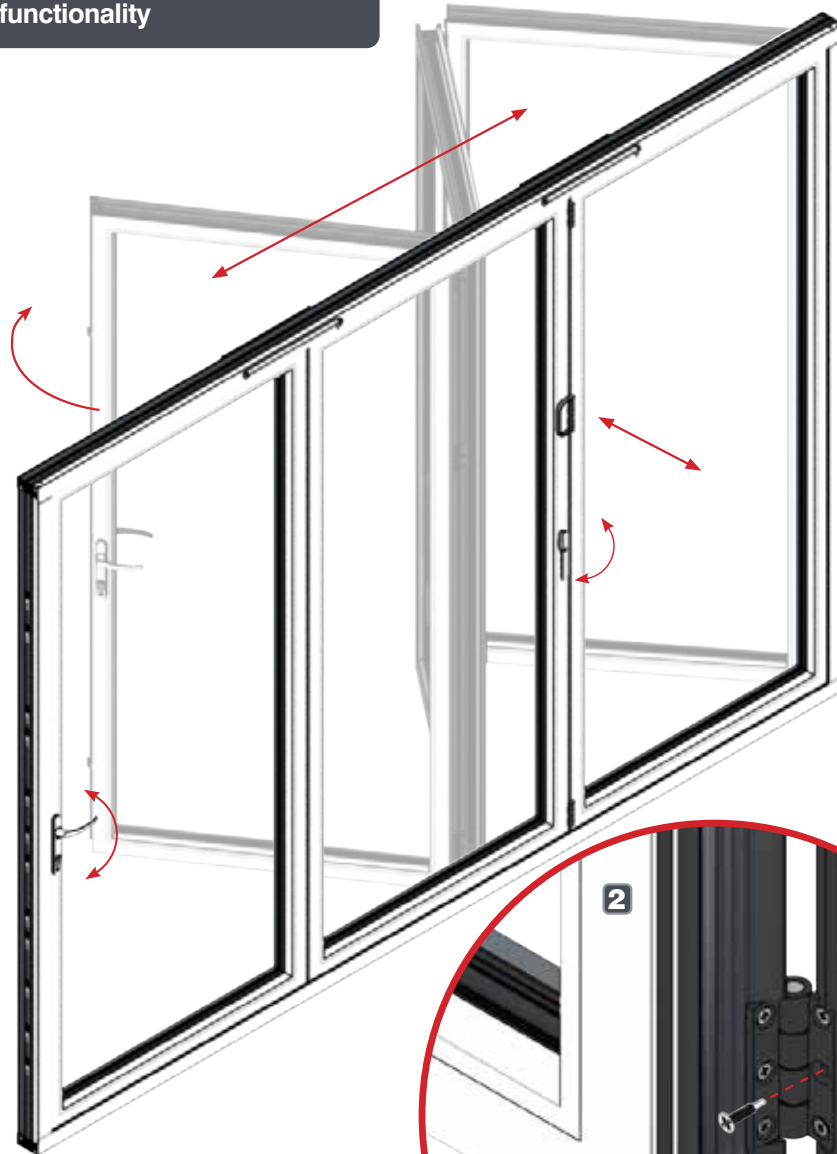
**19mm 1:1**

A-03309 -  
Final hinge screw

Shootbolt key  
A-03883



### 1 Check door functionality

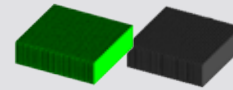


**Adjust hinge height if required so sashes are inline and gaps are equal to 11mm then install final hinge screws**

Final screw fixing



## ADDITIONAL PACKING AND REFITTING BEADS

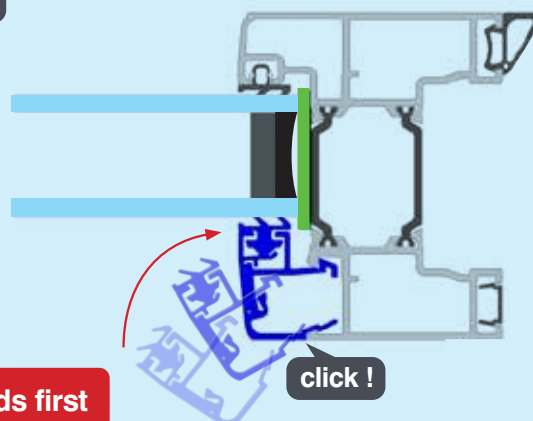


Optional additional  
Glazing packers

### 3 Pack at locking and hinge points



### 4 Clip-in bead installation



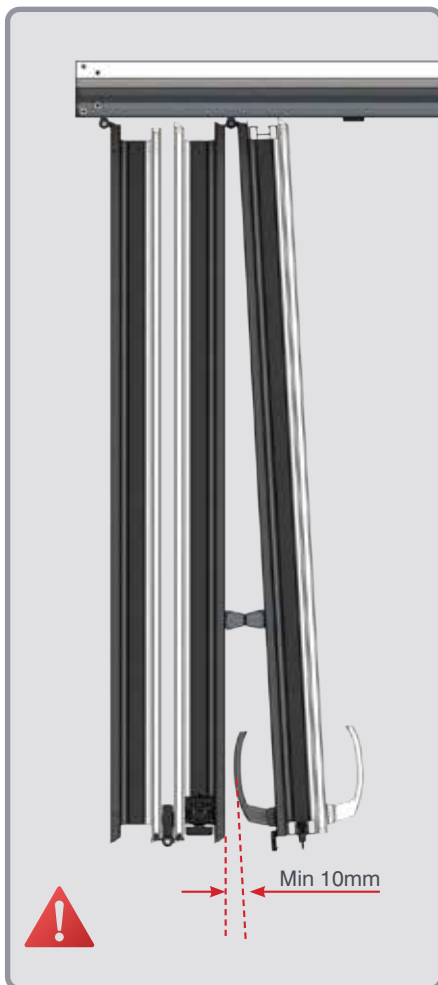
**Fit horizontal beads first**

## DOOR MAGNET INSTALLATION

**A7**



### 2 Door magnet installation



**Position magnet to ensure 10mm gap**



**Position grub screw opposite hinges and adjust angle to ensure magnets touching faces are parallel.**

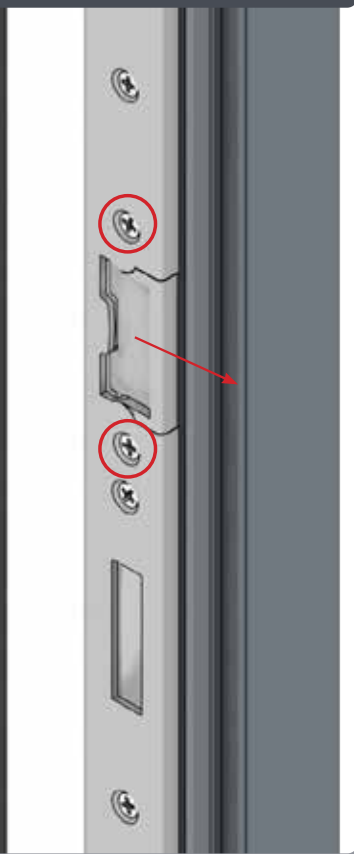
## LOCK ADJUSTMENT

**B1**

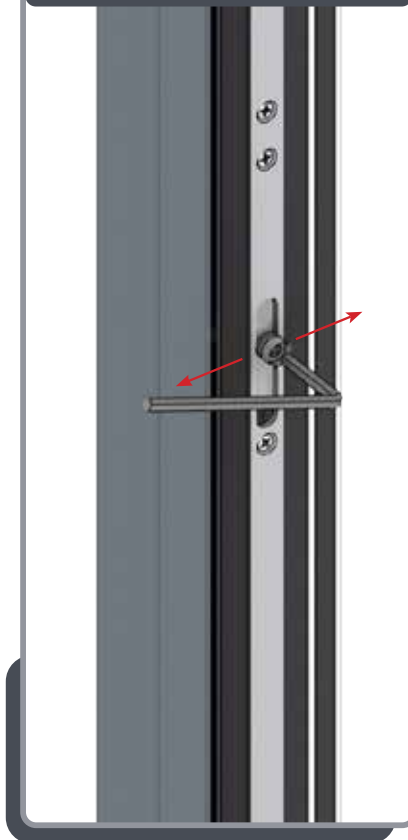


**Before adjusting lock ensure door frame and glazing is correctly packed**

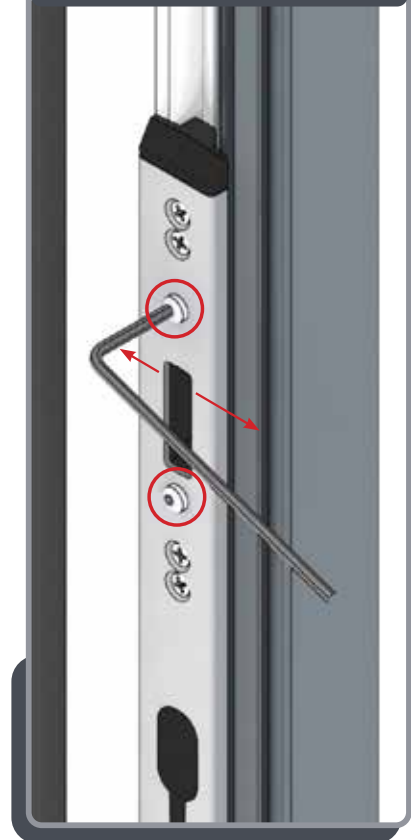
**1** Latch plate adjustment



**2** Roller cam adjustment using 4mm hex key



**3** Hook keep adjustment using 4mm hex key



## KIT-FORM ONLY ASSEMBLY

KF

C1

60mm 1:1

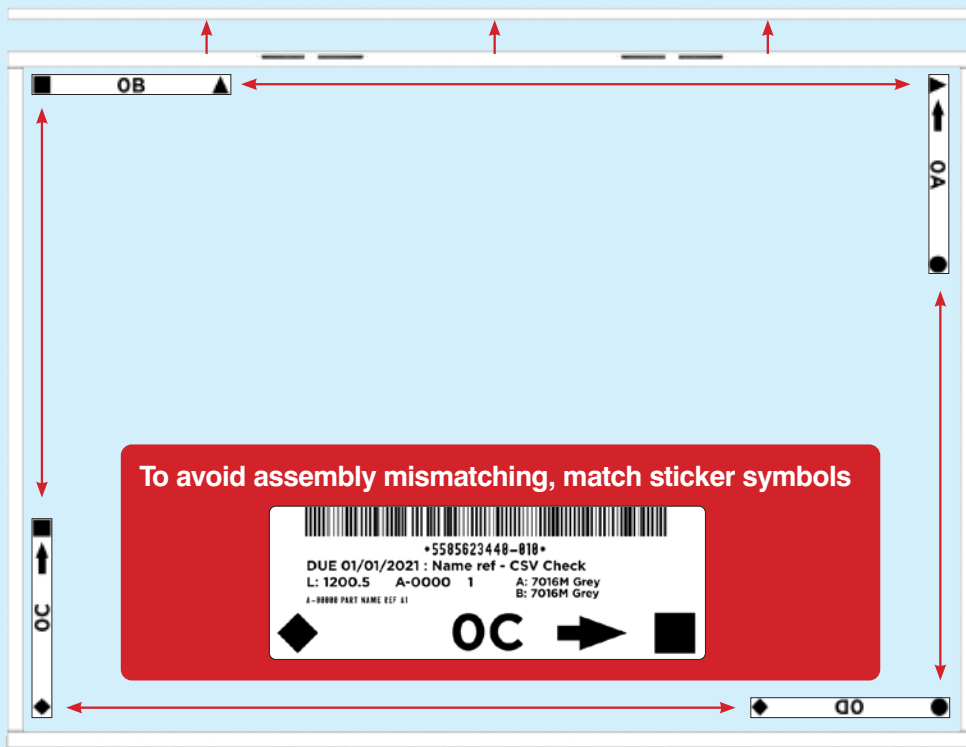
A-03310



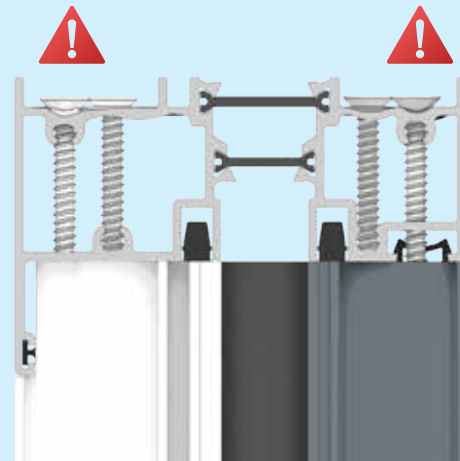
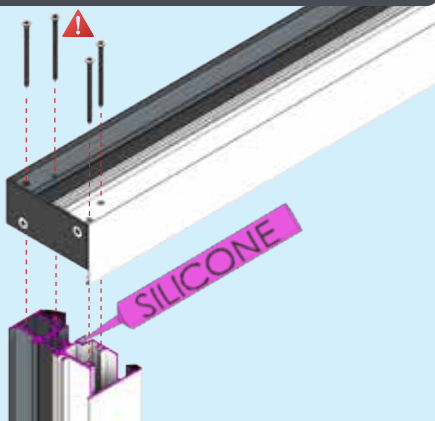
1



First remove any frame extenders, retaining screws for later



2 Outerframe assembly



To avoid distortion do not over-tighten

# OUTERFRAME ASSEMBLY

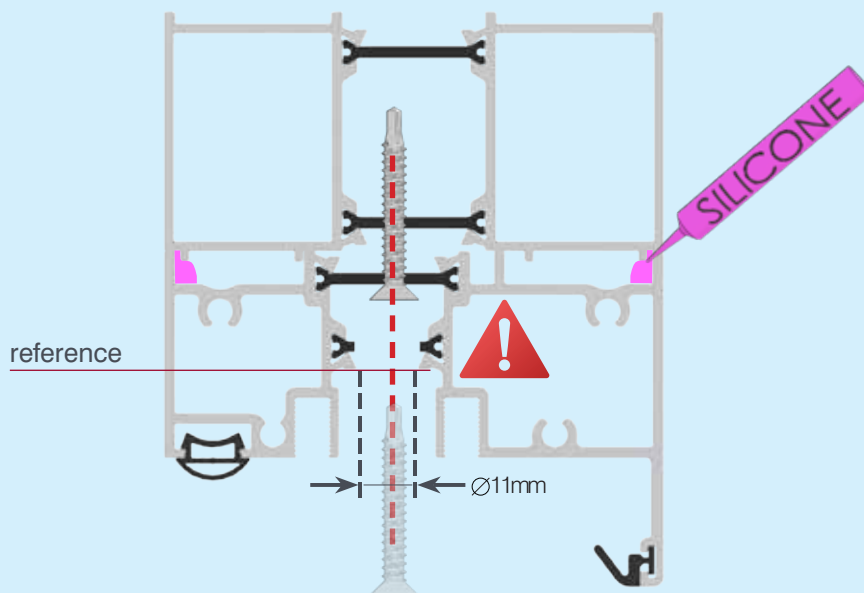
KF



A-3732

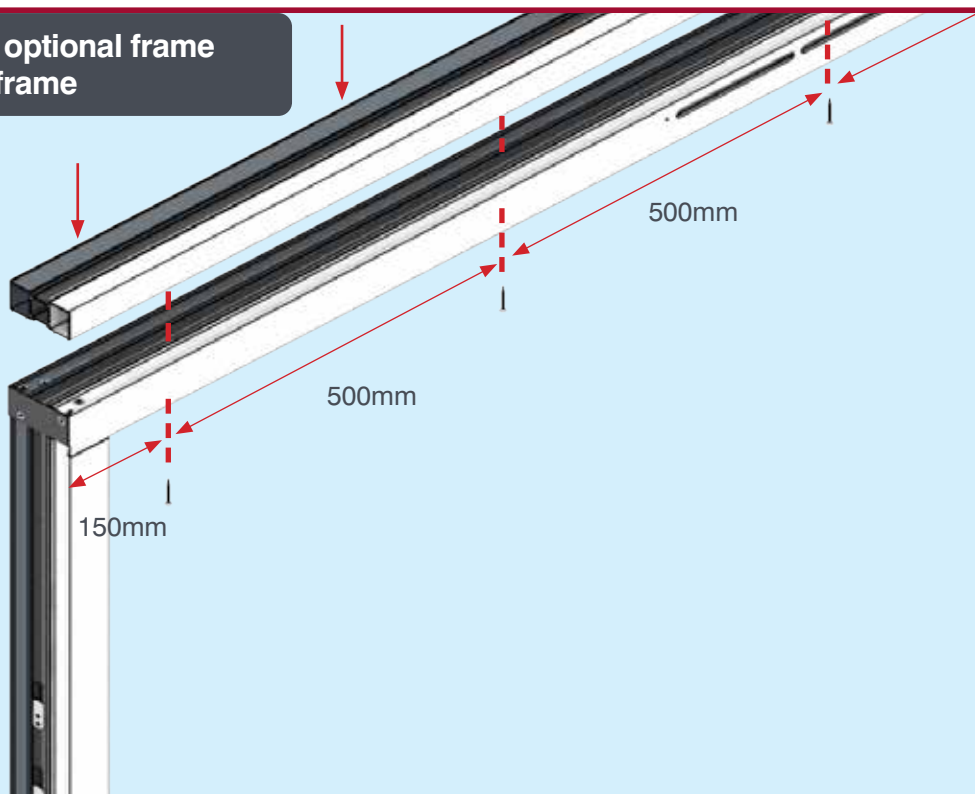


## 3 Re-attach optional frame extender



Ensure screws are sub-flush to reference line

## 4 Fixing position of optional frame extender to outerframe

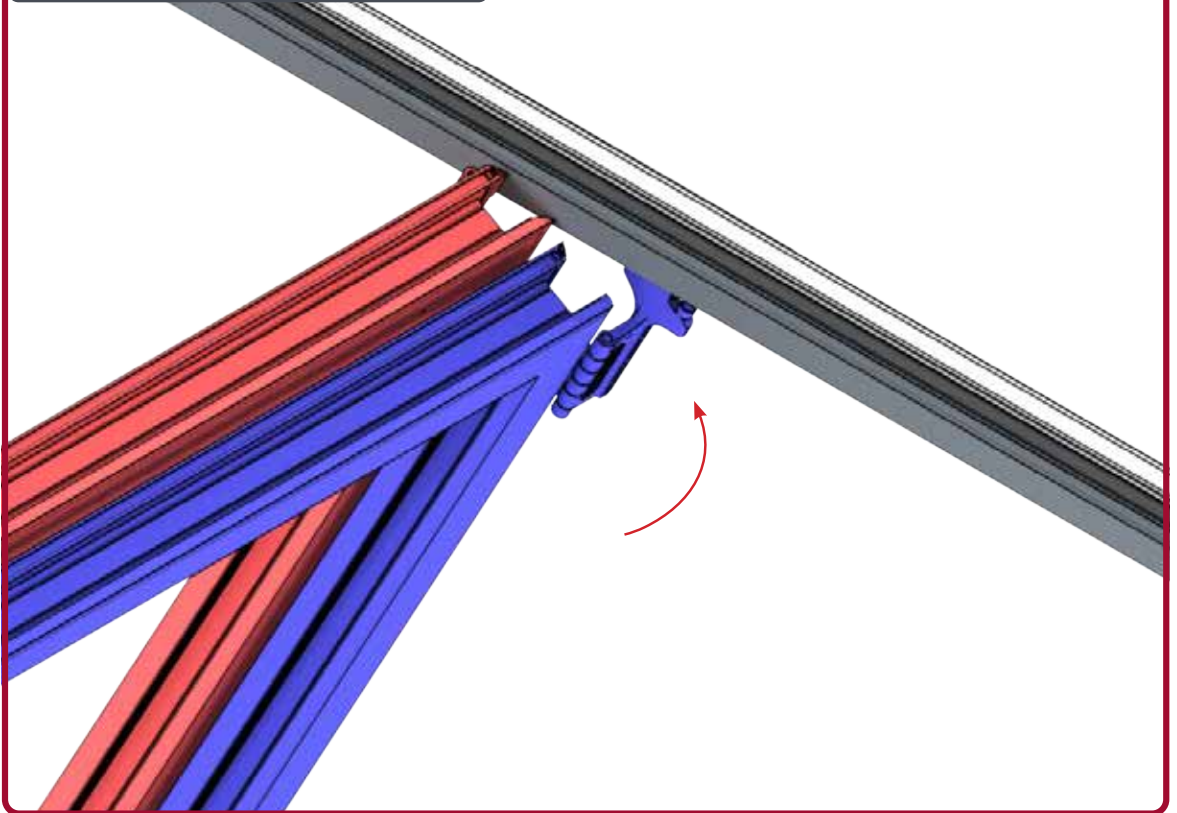




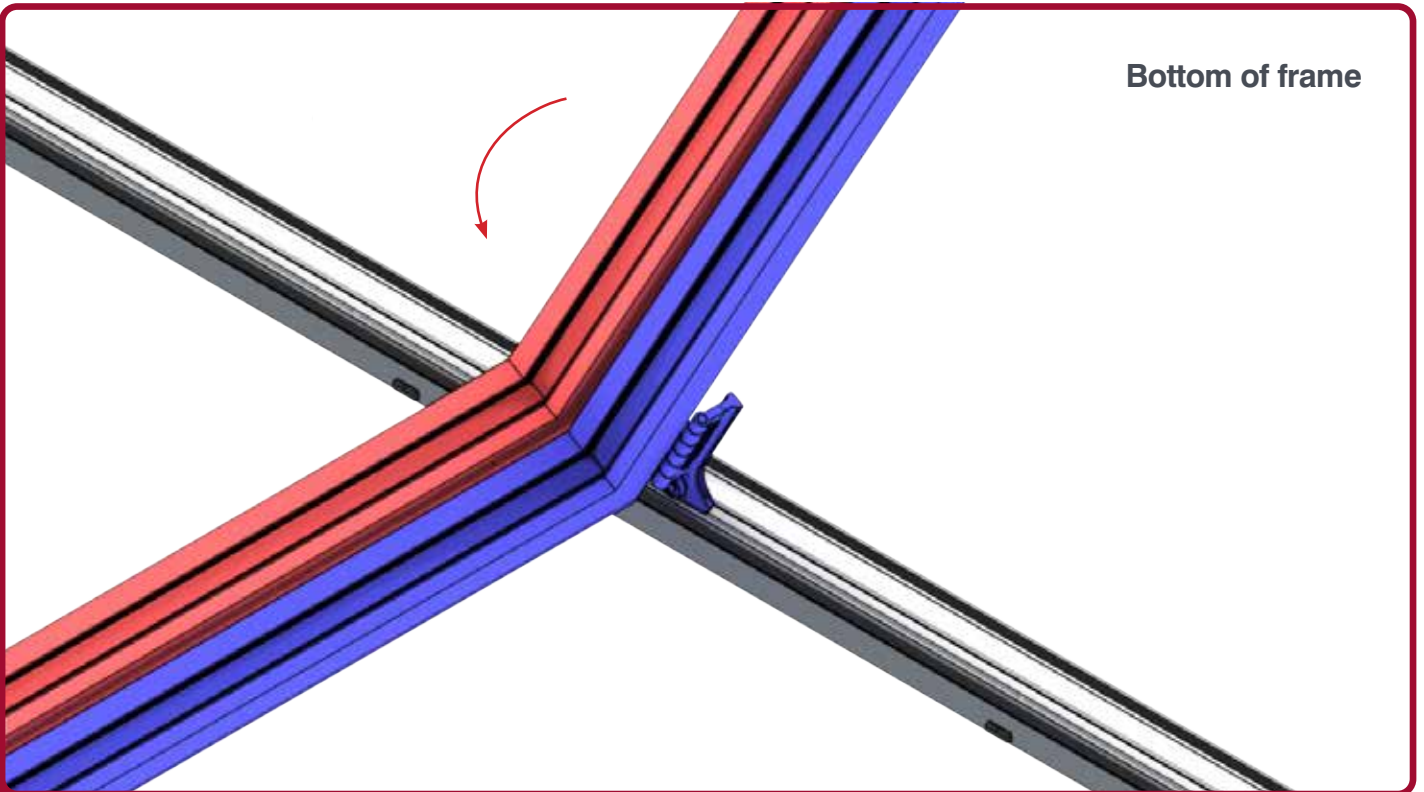
C2

Rotate sash into position

Top of frame



Bottom of frame





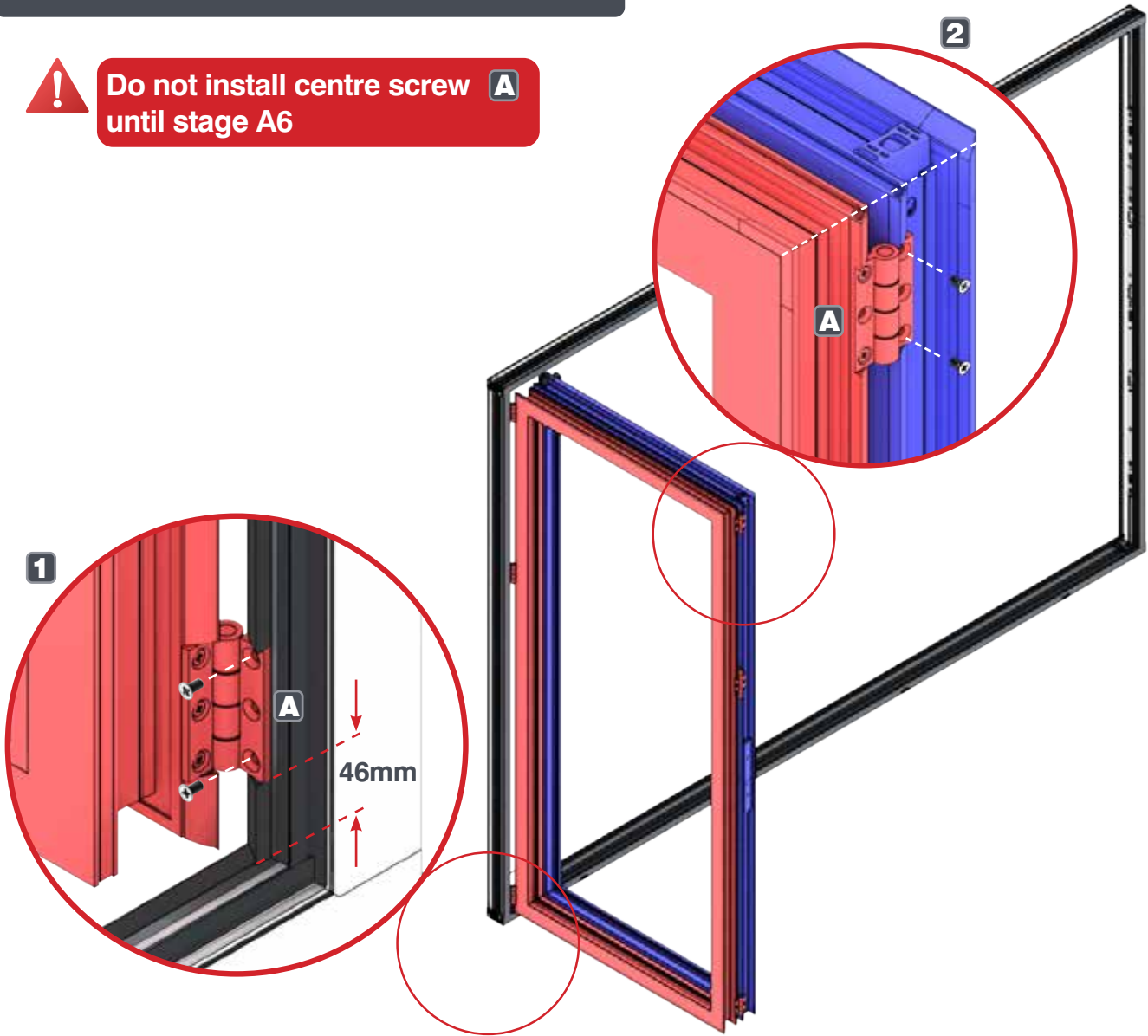
# SASH INSTALLATION

KF

10mm 1:1  
A-03735

## Sash attachment - external view

 Do not install centre screw **A** until stage A6



Align sashes using hinge screws to adjust heights (sashes are numbered left to right from outside)



End of Kit-form instructions

# BEAD REMOVAL WHEN REGLAZING

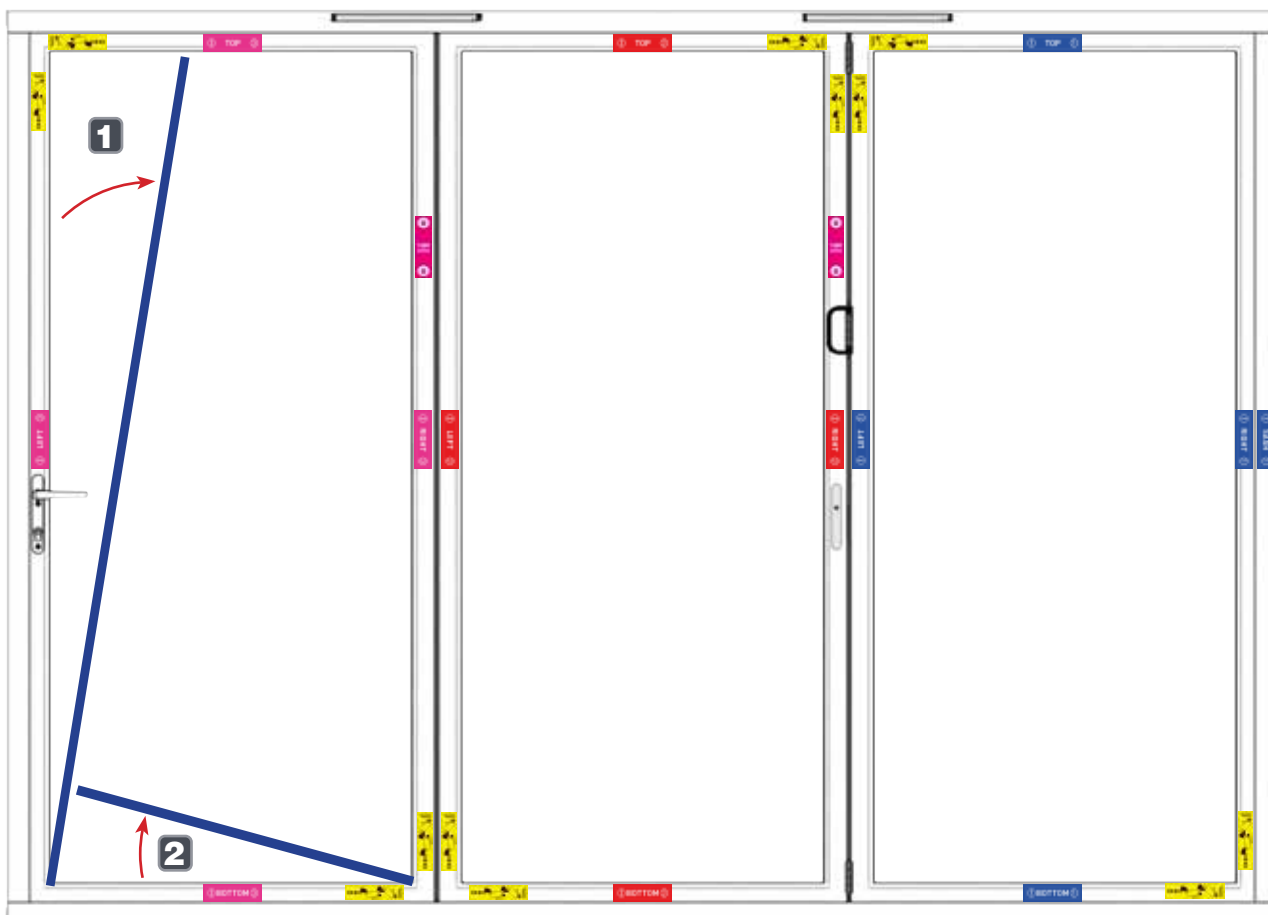
## D1



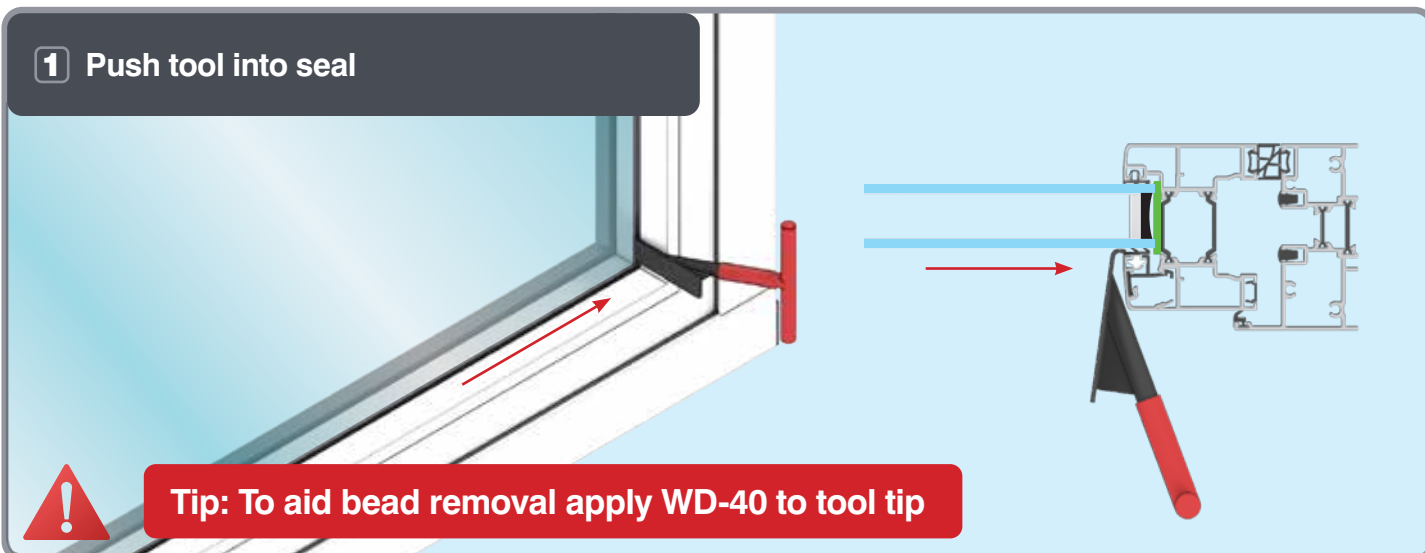
De-glazing tool  
A-00424

**!** Ensure tool and glass are clean to avoid scratches

### Bead removal order



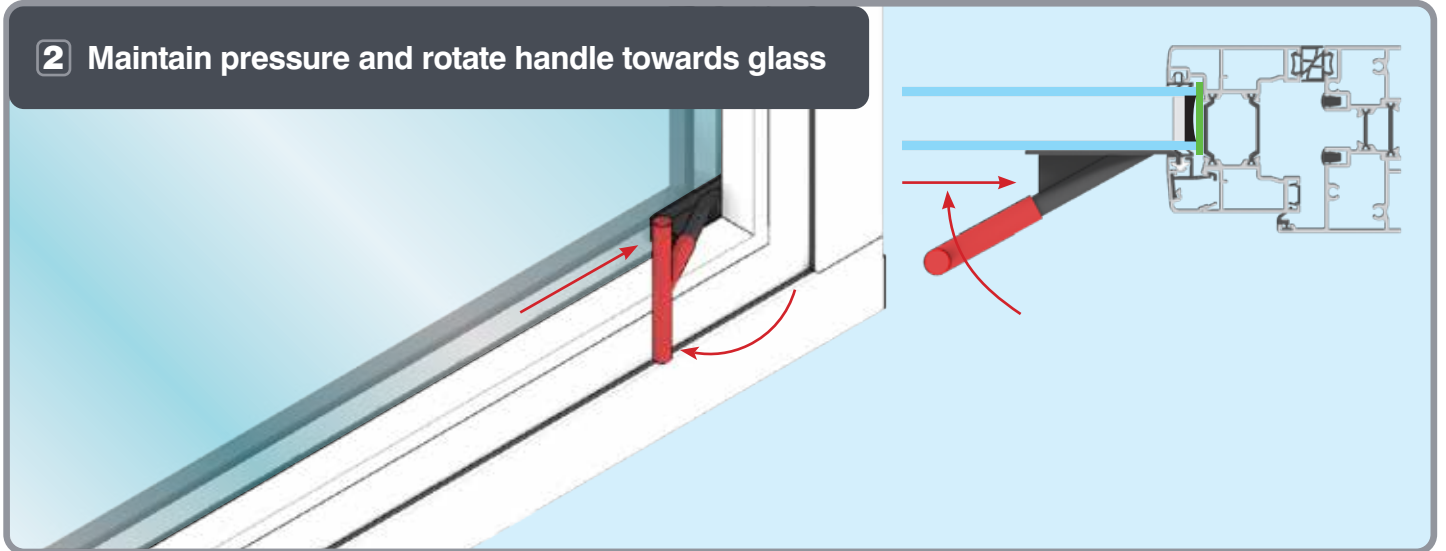
**1** Push tool into seal



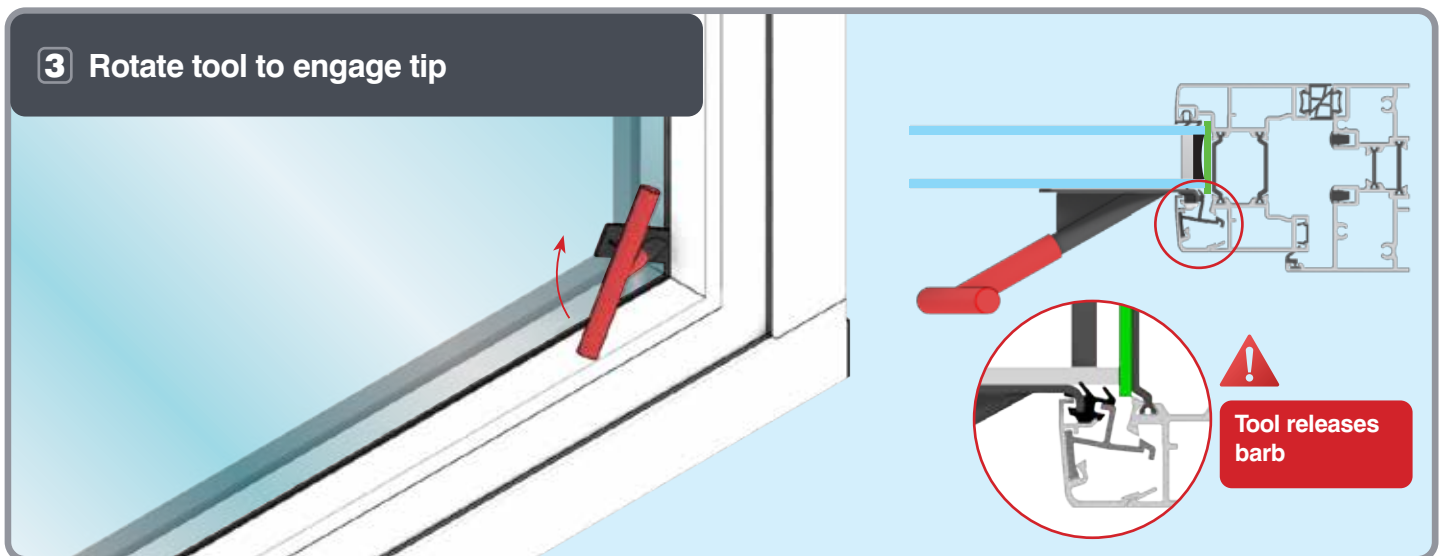
**Tip:** To aid bead removal apply WD-40 to tool tip

# BEAD REMOVAL WHEN REGLAZING

**2** Maintain pressure and rotate handle towards glass



**3** Rotate tool to engage tip



**4** Pull along the glass direction to release

