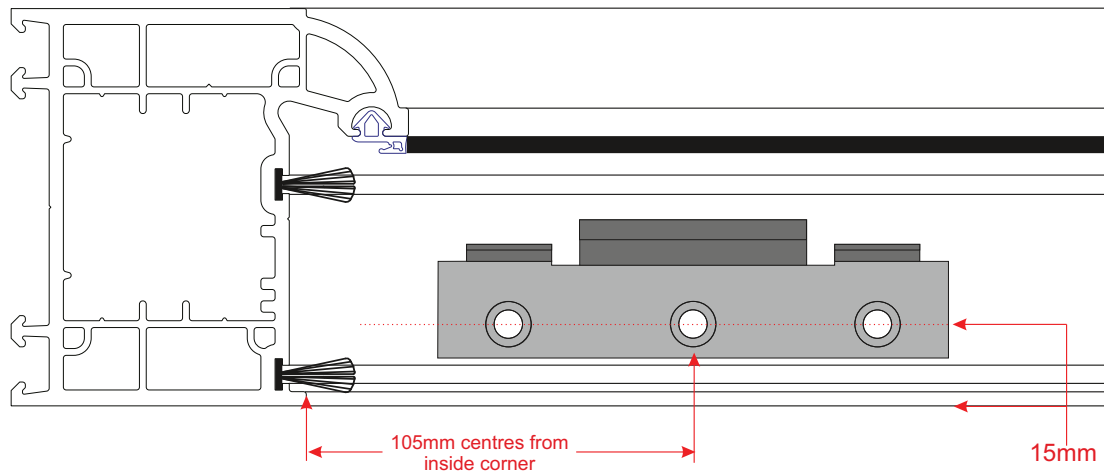
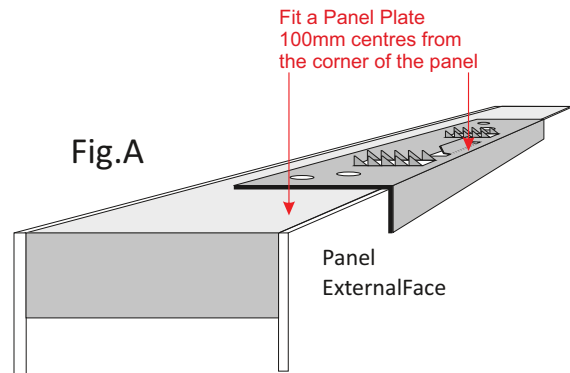


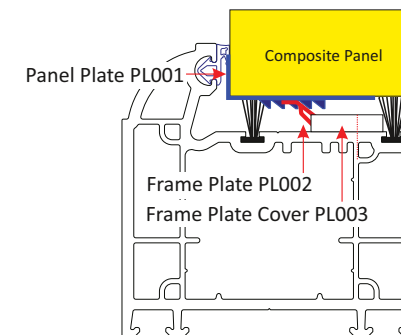
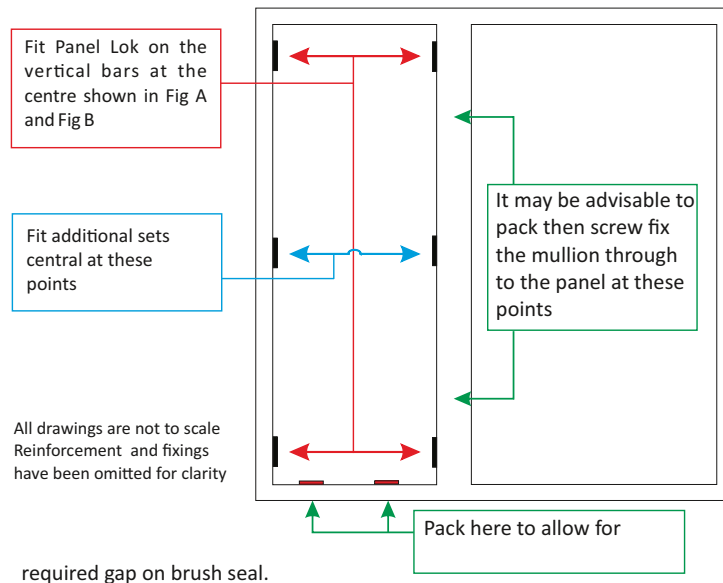
GT Panel Lok has been designed to assist the easy fit of Composite Panels into a side screen situation.

A set comprises of two metal parts, a panel plate and a frame plate, along with an acetal cover for the frame plate.

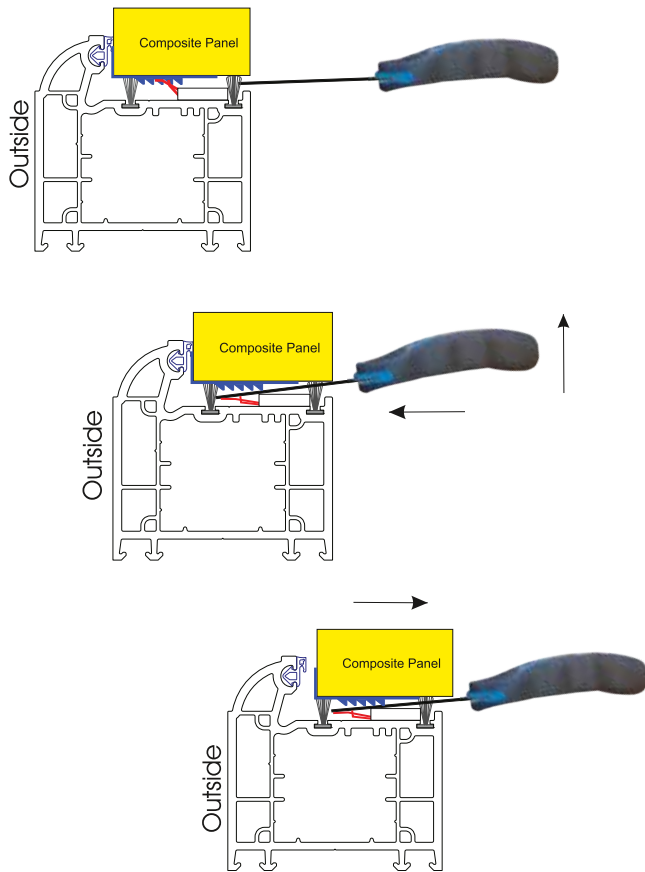
Fitted correctly, as show in the diagrams, GT Panel Lok will allow a push and lock fit with the advantage of easy release for removing the panel.



FITTING

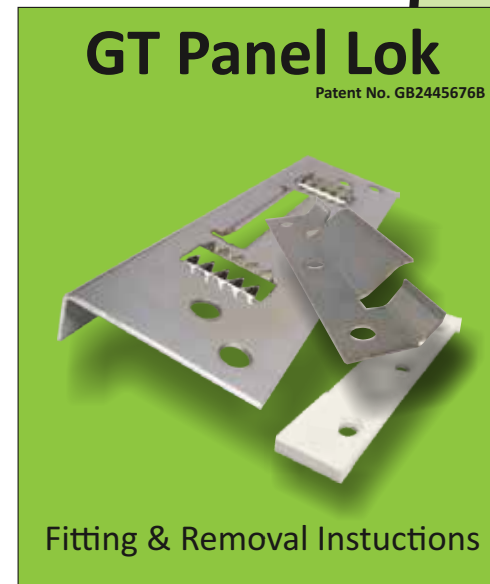


RELEASING



WINDOW PRODUCTS LIMITED

Effective solutions for windows manufacturers and fitters



Patent No. GB2445676B

VEKA

