

Heritage Standard Euro Cylinder Pull - Pull



Features

- Stylish standard euro external cylinder pull and internal pull**
 For use with a Euro profile cylinder
- Provides an easy method of closing the door upon exit**
 Ergonomically designed finger pull for ease of operation
- Cylinder pull slides easily onto the fixing plate**
 Finishes the door internally and externally, with grub screw fixings
- All parts for a door included within one package**
 Supplied as a pair external cylinder pull and internal pull boxed together with screws for 42-48mm doors
- Designed for Composite, Timber and PVCu doors**
 To suit all door materials
- Available in the complete range of Hardex finishes**
 Perfectly matching to the full Fab&Fix range of products
- Through fixing**
 Easily retrofittable and suitable for all locking mechanisms. Screw centres perfectly align with key wind up, Heritage and Slam Shut door locking systems
- Secure fixing lug**
 Prevents removal of external pull from the door



Hardex Chrome



Hardex Bronze



Hardex Gold



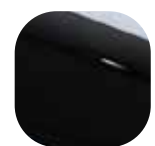
Hardex Graphite



Antique Black



White



Black

Heritage Standard Euro Cylinder Pull - Pull

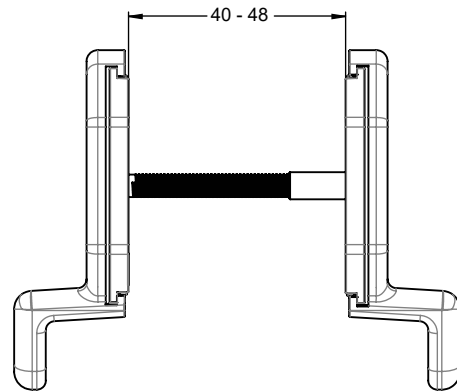
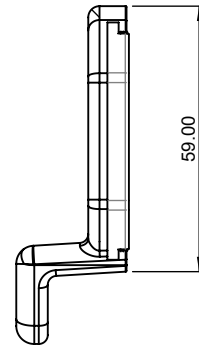
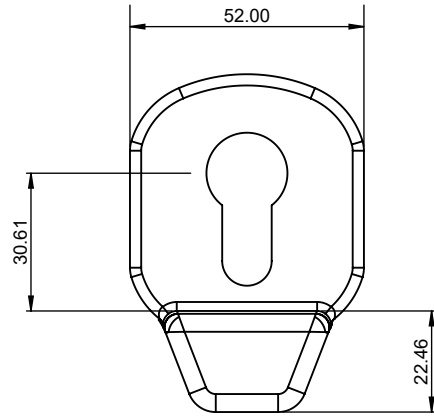
Ordering Details	
Product	
Standard Euro Cylinder Pull - Pull	
Finish	42-48mm doors
Hardex Chrome	4F702
Hardex Bronze	4F703
Hardex Gold	4F704
Hardex Graphite	4F705
Antique Black	4F706
White	4F700
Black	4F701

Technical Information	
Corrosion resistance Meets the requirements of BS EN 1670:2007 Grade 5 (480 hours)	
Material Specification	
Cylinder Pull:	High quality Zinc
Coatings:	Hardex Chrome, Hardex Bronze, Hardex Gold, Hardex Graphite, Antique Black, Black and White

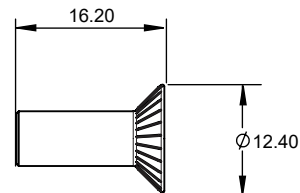
Maintenance	
All moving parts should be lightly lubricated using a light non-acidic mineral oil (e.g. "3 in 1") twice per year and the surface cleaned with a soft damp cloth. The product may need to be adjusted and fixings tightened to ensure a satisfactory operation.	

Packaging	
Euro Cylinder Pull Individually boxed with screws. 20 per box.	

Cylinder Pull



Secure Fixing Lug



All dimensions are in mm and are nominal.
Fab&Fix reserves the right to change specification without notice.
It is the responsibility of the door manufacturer to ensure that the finished product meets any required safety and performance specification.