



COR VISION SYSTEM



## COR VISION

SYSTEM

---

### Sightlines

Frame depth 116 mm / 182 mm 3 rails

Sash depth 37 mm

Interlock 20 mm

### Polyamide Strip Length

16 / 24 mm

### Profile Thickness

Door 1.7 mm

### Glazing

Max. 30 mm, Min. 26 mm

### Maximum Sash Dimensions

Width (L) 2500 mm, Height (H) 3000 mm

### Maximum Sash Weight

320 kg

Consult maximum weight and dimensions according to typologies





Thermally broken minimalist sliding system that provides maximum luminosity with a minimal aluminium interlock profile. It has an elegant design only 20 mm sightline and offers the possibility of an inlaid closing system and of hiding the frame along the perimeter.

Possibility of locking system in the interlock, thus allowing the concealment of the sashes in the frame from a frontal view.

Possibility of embedded locking system which facilitates the sashes crossing.



- High thermal & acoustic performance
- Maximized glazed surface
- Stainless steel adjustable wheels
- 20 mm interlock
- Hidden track possibility

**BFRC Rating**  
kWh/(m<sup>2</sup>yr)

≥20	A	++
>10 to <20	A	+
0 to <10	A	✓
-10 to <0	B	
-20 to <-10	C	
-30 to <-20	D	
-50 to <-30	E	

Double glazing






## FEATURES

U value   $U_w \geq 1.3 \text{ (W/m}^2\text{K)}$

Acoustic insulation   $R_w$  up to 41 dB

Air permeability  Class 4

Water tightness  Class 7A

Wind resistance  Class C5

Security test   Passed

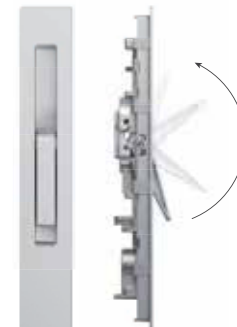
Reference test 1.23 x 1.55 m / 1 sash + 1 fixed light



INTERLOCK HANDLE

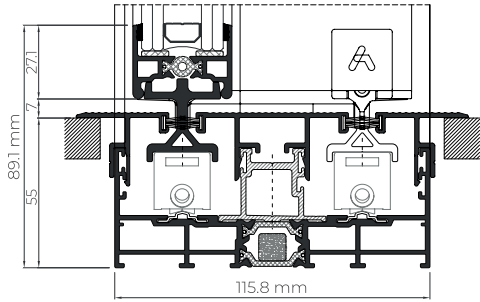


SECURITY  
HARDWARE

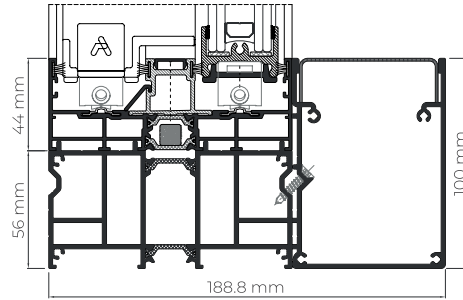


FLUSH SECURITY  
HARDWARE

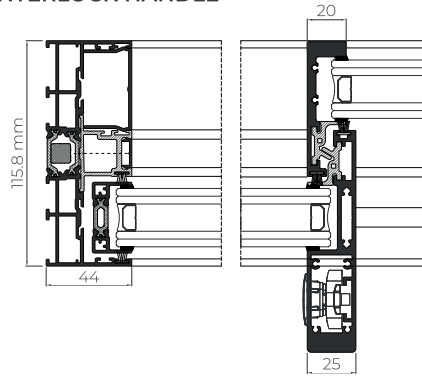
### HIDDEN TRACK SOLUTION



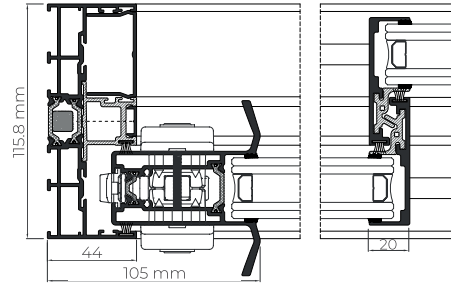
### BESPOKE DRAINAGE SOLUTION



### INTERLOCK HANDLE

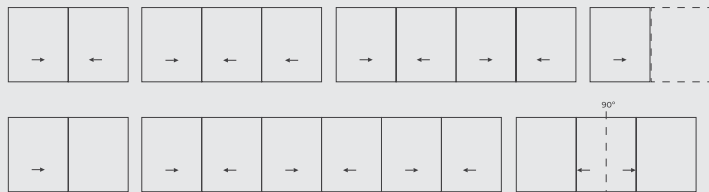


### DOUBLE TRACK



HIDDEN TRACK SOLUTION

### OPENING POSSIBILITIES



Sliding

Possibility of 1, 2 or 3 rails

Possibility of interior and exterior corner sash at 90° without mullion

Pocket possibility

### POSSIBILITIES



ACCESSIBILITY

