



BI-FOLD PLUS





Sightline

Jamb 89 mm, Meeting Stile 110 mm

Polyamide Width

Frame 45 mm

Sash 45 mm

Profile Thickness

Door 1.8 mm

Glazing

Max. 48 mm, Min. 25 mm

Maximum Sash Dimensions

Width (L) 1200 mm, Height (H) 3000 mm

Maximum Sash Weight

120 kg

Consult maximum weight and dimensions according to typologies





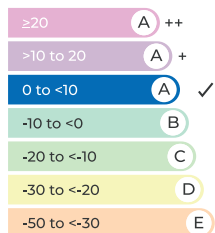
Separate environments and unify spaces with this Bi-fold door system with an 80 mm deep frame. This evolution of the Bi-fold series offers an excellent thermal and acoustic performance, thanks to its 45 mm thermal break and a glazing capacity up to 48 mm.

Besides, it presents a slim central section of 110 mm, which maximizes the glazed surface, filling the interior spaces with natural light.



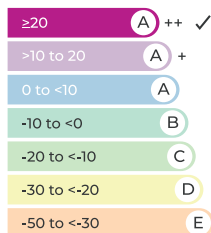
- High thermal & acoustic performance
- Maximized glazed surface
- Double bearing system with a gimbal stabiliser
- Faster manufacturing
- High security

BFRC Rating
kWh/(m²·yr)

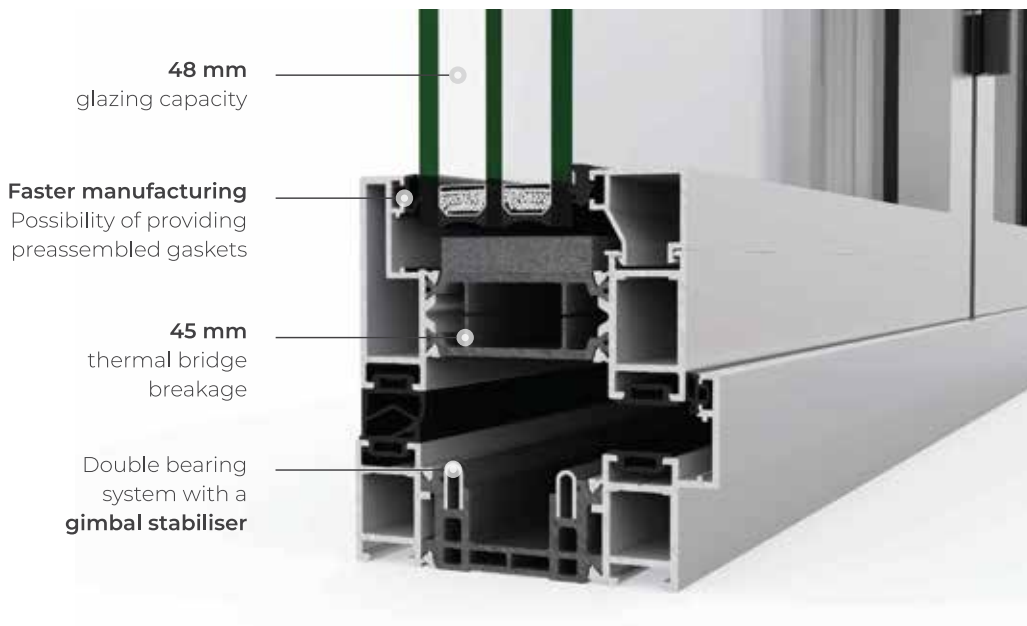


Double glazing

BFRC Rating
kWh/(m²·yr)



Triple glazing





FEATURES

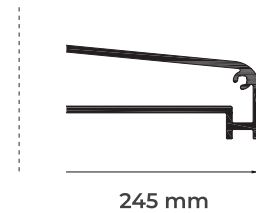
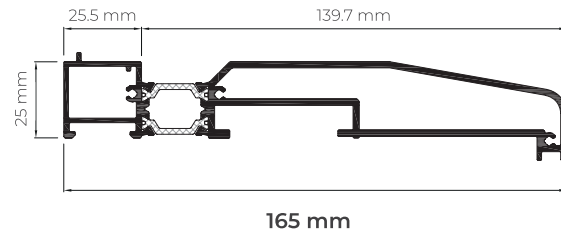
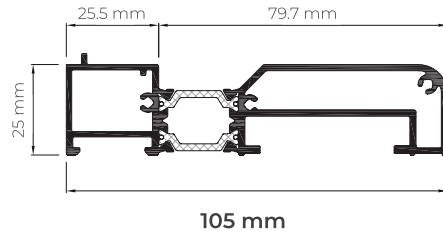
U value		Double glazing * Uw from 1.2 (W/m ² K)	Triple glazing * Uw ≥ 0.8 (W/m ² K)
Air permeability		Class 4	
Water tightness		Class E750	
Wind resistance		Class C3	
Repeated openings and closings		50,000 cycles (Main swing door)	25,000 cycles (Even sashes)
Security test		Passed	

* Double glazing Ug=1.0 / Triple glazing Ug=0.5



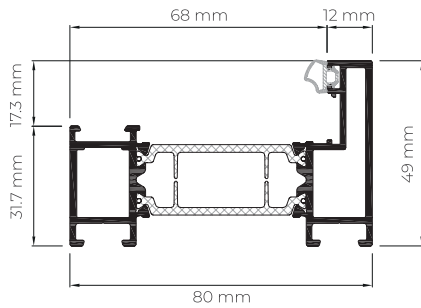
Security test: 3 sashes reference test. Configuration 321 2.70 x 2.50 m
 AWW TEST. Resistance to repeated openings and closings: EN 1191, 3 sashes reference test.
 Configuration 321 3.73 x 2.50 m

DRAINAGE SUBCILLS

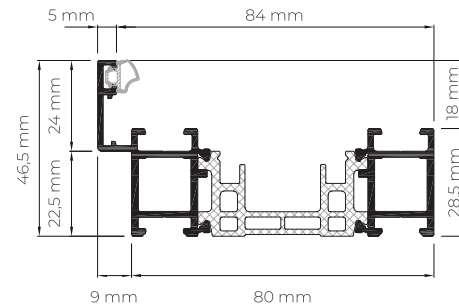


PROFILES WITH PRE-ASSEMBLED GASKET

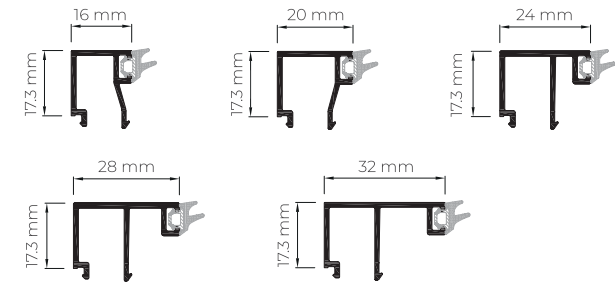
Sash



Outer Frame

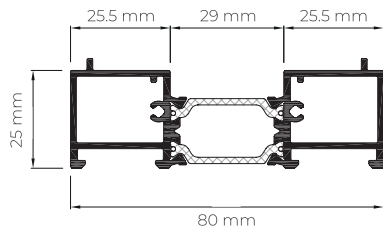


Glazing beads

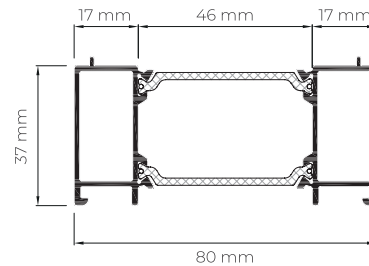


HEAD EXTENSION

Head Extension 25 mm



Head Extension 37 mm



OPENING POSSIBILITIES



Inward
Up to 14 sashes

Outward
Up to 14 sashes
90° corner sash without mullion

OPENING POSSIBILITIES



SECURITY
HARDWARE



ACCESSIBILITY

